

# Technical Specifications

## A General Features

**Maximum Load:**

8kg (17.5lbs).

**Display Compatibility:**

Visidec Focus Articulated Arm is compatible with most Flat Panel Displays between 12" and 24" (30cm and 61cm) that feature either 75mm x 75mm (3" x 3") or 100mm x 100mm (4" x 4") VESA mounting hole patterns.

**Mounting Option:**

Visidec Focus Articulated Arm includes Bolt Through and Desk Clamp mounting options.

- Bolt Through  
Suits desktop thicknesses of 12mm - 40mm (1/2" - 1 1/2")
- Desk Clamp  
Suits desktop thicknesses of 12mm - 38mm (1/2" - 1 1/2")

**Included Hardware:**

All fasteners and mounting hardware are included.

**Tools Required:**

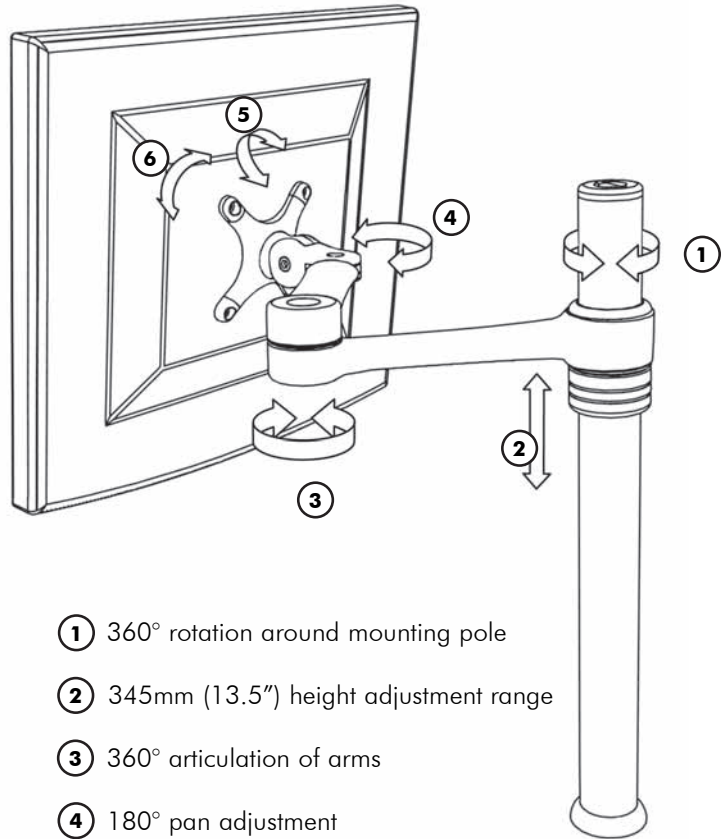
Power drill, 9mm (3/8") drill bit, Phillips Head screwdriver.

**Cable Management:**

Cable management system includes cable slot and cable management clips.

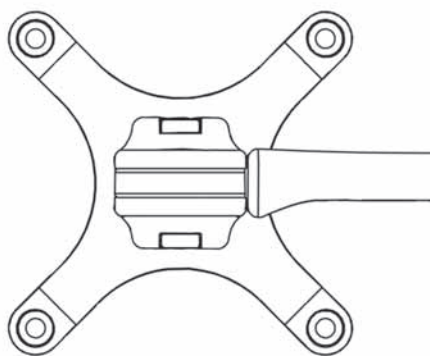
**Colour:**

Polished Silver.

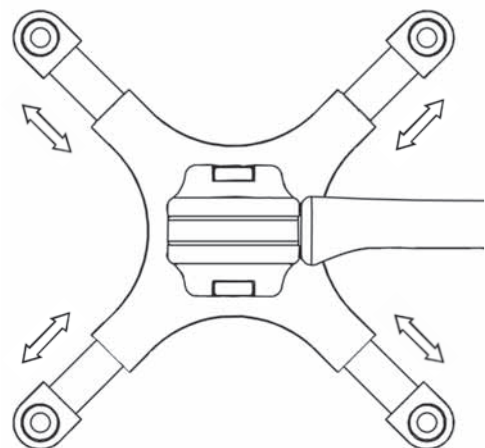


- ① 360° rotation around mounting pole
- ② 345mm (13.5") height adjustment range
- ③ 360° articulation of arms
- ④ 180° pan adjustment
- ⑤ ±70° tilt adjustment
- ⑥ ±95° portrait/landscape adjustment

## B The FlexiStar™ mechanism

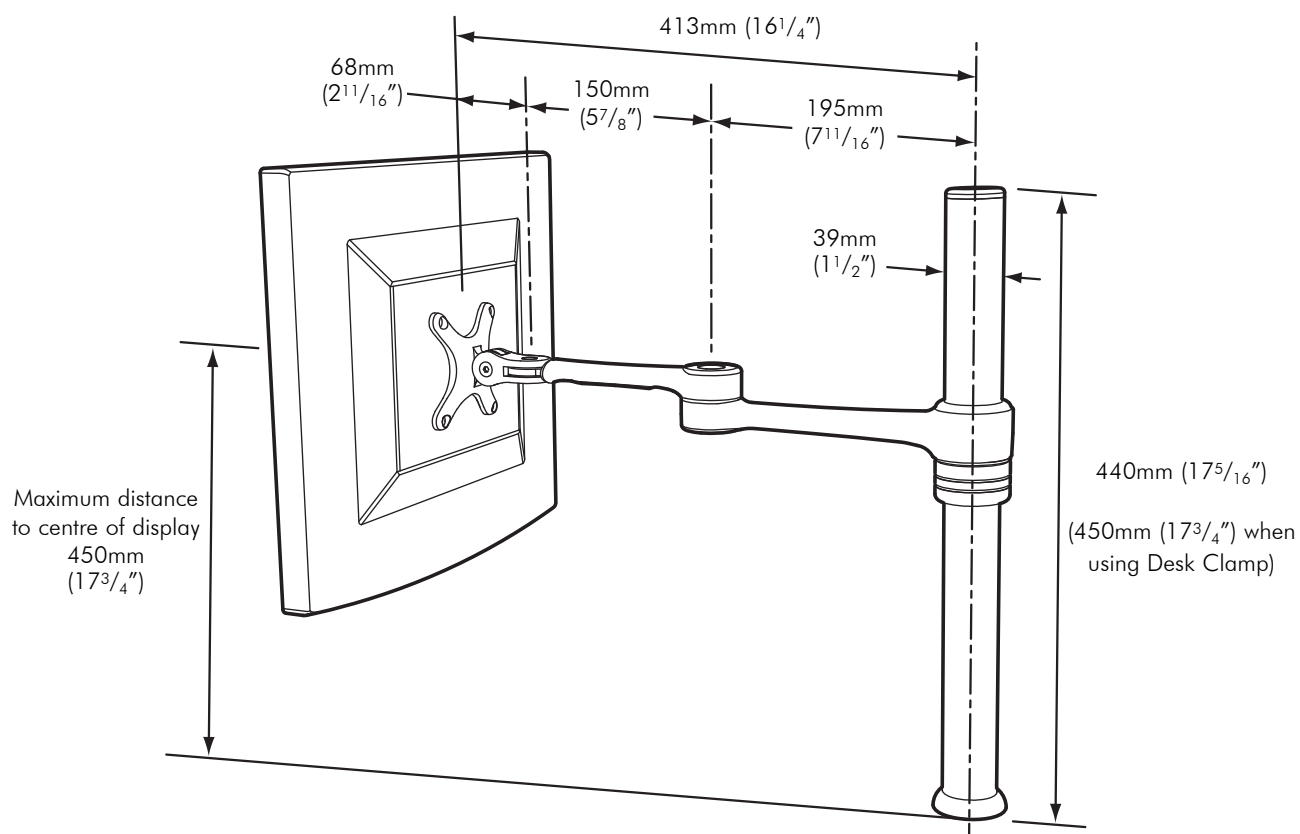


75mm x 75mm (3" x 3")  
VESA hole pattern.



100mm x 100mm (4" x 4")  
VESA hole pattern.

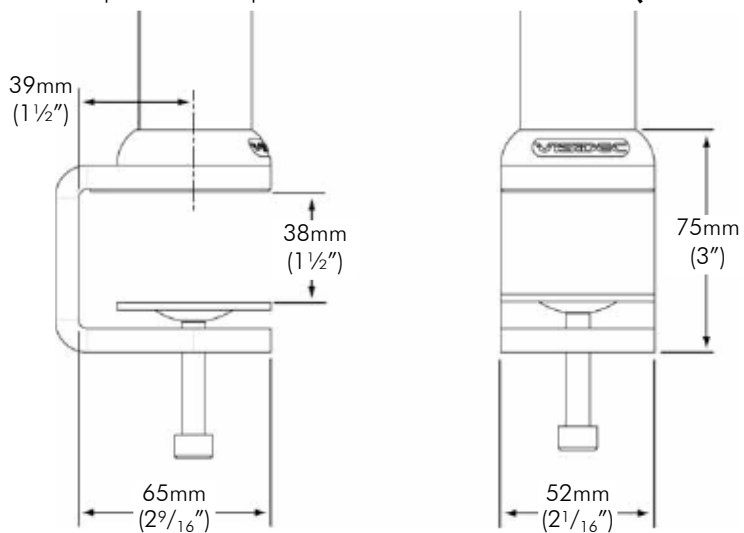
## C Overall Dimensions



## D Desk Mounting Options

### Desk Clamp

Desk Clamp suits desktop thicknesses of **12mm - 38mm (1/2" - 1 1/2")**



### Bolt Through

Bolt Through suits desktop thicknesses of **12mm - 40mm (1/2" - 1 1/2")**

