



Visidec focus | single monitor arm VF-AT

Fits most displays from 12" to 24"



Mounting hole pattern:
from 75mm to 75mm wide
from 100mm to 100mm high



Maximum weight carrying capacity:
8kg (17.5lbs)

The Visidec Focus VF-AT is the ideal ergonomic and space saving desk mount for any home or office. It's elegant design and polished aluminum finish add style and functionality to any workspace. The broad range of movement from the pivot points on the arm and height adjustability create a workspace customizable for any user in any position. The screen can be pulled out 413mm (16.25") for the ideal focal length and rotated 360° around the pole. The optimum viewing angle can also be achieved with a 70° up and 70° down tilt, and pan of 180°. Versatility extends to monitor choice, thanks to our FlexiStar mechanism that allows two different mounting hole patterns. Cables are cleverly managed internally for a clean look and to reduce clutter.



Product key features:

- ✕ Offers a wide range of movement via 3 pivot points
- ✕ 360° rotation around pole
- ✕ Adjustable tilt: 70° up and 70° down
- ✕ Adjustable pan: 90° left and right, total 180°
- ✕ Portrait to landscape rotation
- ✕ Arm maximum reach: 413mm (16.25")
- ✕ Display height adjustment range: 345mm (13.5")
- ✕ Bolt through and desk clamp mounting options included
- ✕ Internal cable management
- ✕ Comes with all mounting hardware



Product information, single unit

Load capacity	Material	Color
8kg (17.5lbs)	Aluminum	Polished

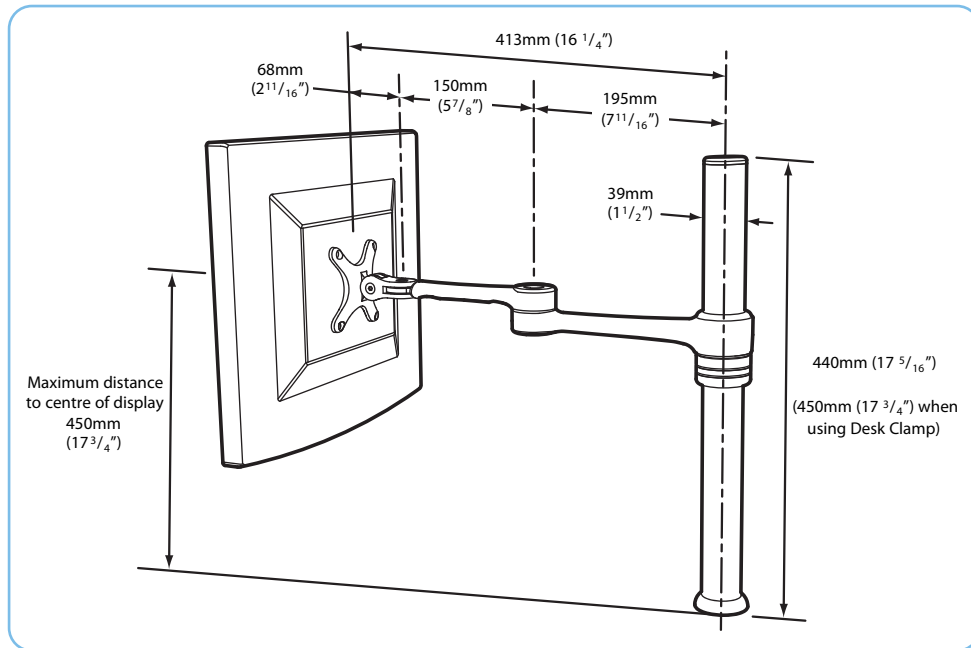
Package information, single unit

Size	Ship weight	UPC code	Contents
50cm x 20cm x 10cm (19.75" x 7.75" x 3.75")	2.6kg (5.4lbs)	881493004337	All hardware required for installation supplied

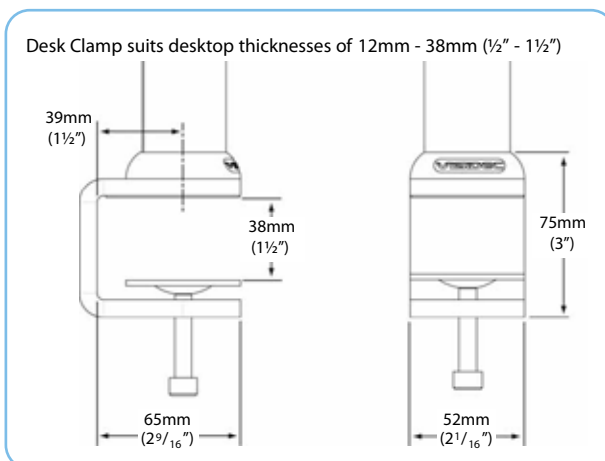
Package information, master pack

Size	Ship weight	UPC	Units per master pack
62cm x 56cm x 22cm (24" x 20" x 9")	17kg (35.6lbs)	881493002661	6

Technical drawings



Desk Clamp



Bolt Through

