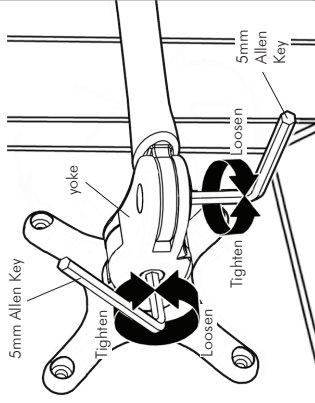


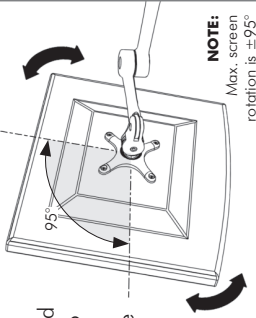
## H Adjusting Display Position

Adjust the position of your display as shown.

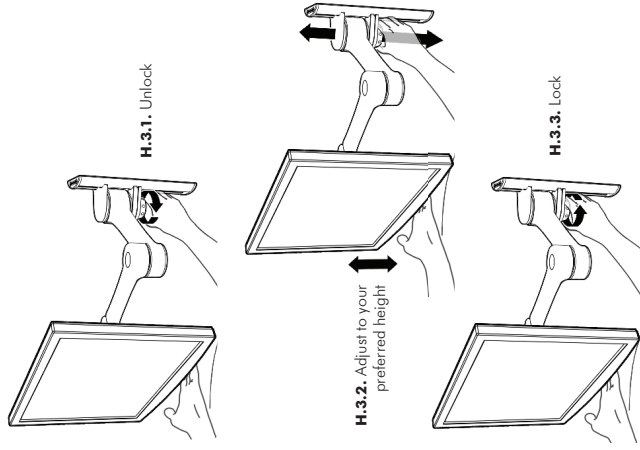
**H.1.1.** Use the supplied 5mm Allen Key to adjust the tension of the yoke to suit the weight of your display.



**H.1.2.** The display can also be moved from landscape to portrait mode by simply rotating the display.



**H.1.3.** Adjust the height of your display as shown.



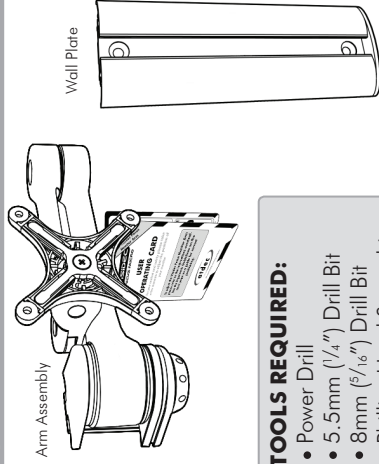
**H.3.1.1.** Unlock

**H.3.3.** Lock

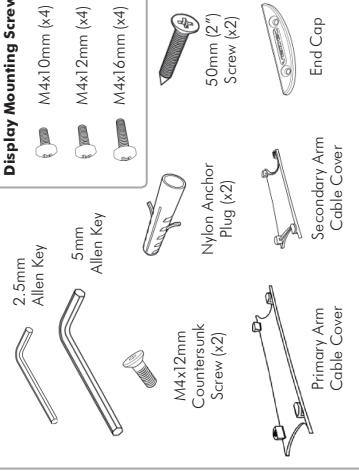
## Important Notes

- Visidec Focus Articulated Arm Wall supports a maximum weight of 8kgs (17.5lbs)
- The "User Operating Card" must be left with Visidec Focus Articulated Arm Wall once installed

## Component Checklist



### Bits Box



### TOOLS REQUIRED:

- Power Drill
- 5.5mm (1/4") Drill Bit
- 8mm (5/16") Drill Bit
- Phillips Head Screwdriver

## A Component Checklist

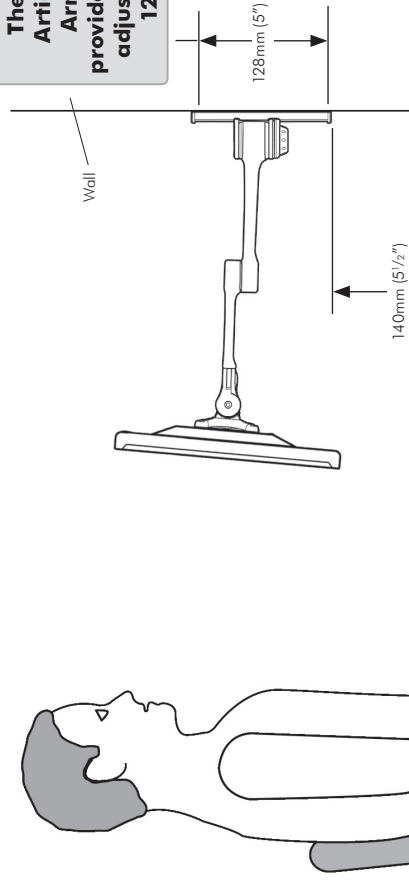
Check you have received all parts against the Component Checklist above.

## B Positioning the Wall Plate

As a guide, it is recommended that the bottom of the Wall Plate be positioned approximately 140mm (5 1/2") above the desktop.

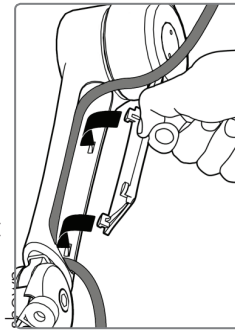
For further Ergonomic Guidelines, please refer to the User Operating Card.

**NOTE:**  
The Focus Articulated Arm Wall provides vertical adjustment of 128mm



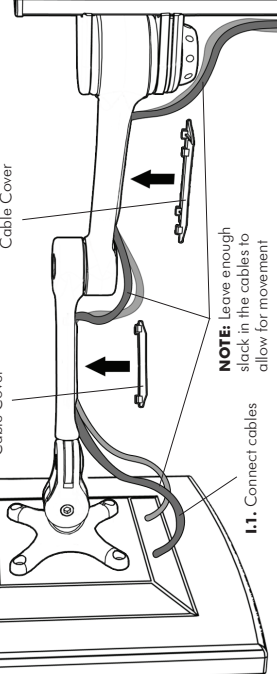
## 1 Cable Management

To utilise Focus Articulated Arm Wall cable management, use the Cable Covers supplied in the Bits Box as



**1.1.** Insert 1st Cable Cover

**1.2.** Insert 2nd Cable Cover



## J Leave the "User Operating Card" with Visidec Focus Articulated Arm Wall

Leave the "User Operating Card" secured to the Visidec Focus Articulated Arm Wall for the user's reference.

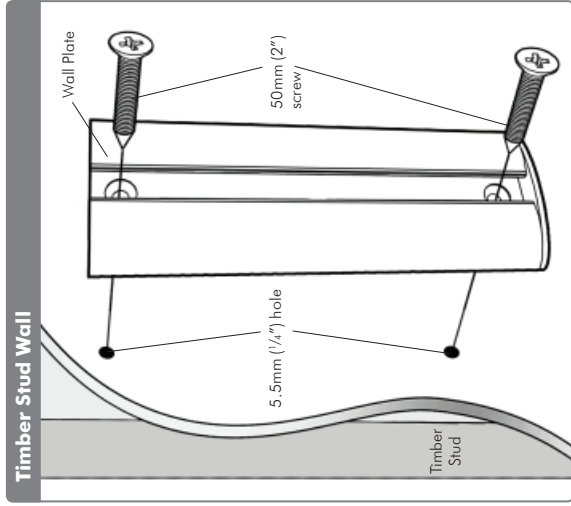
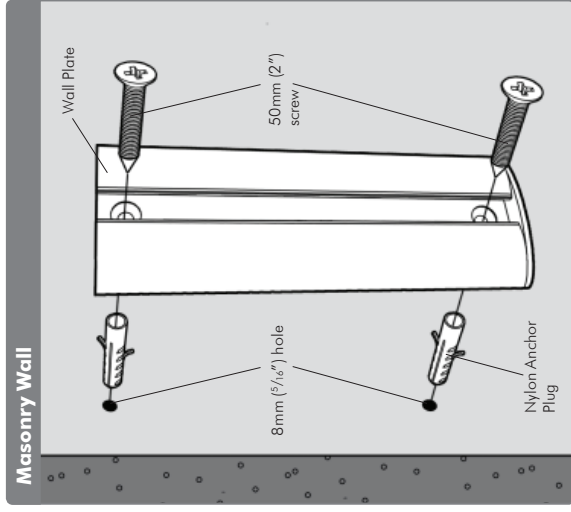


## Installation Complete



### © Installing the Wall Plate

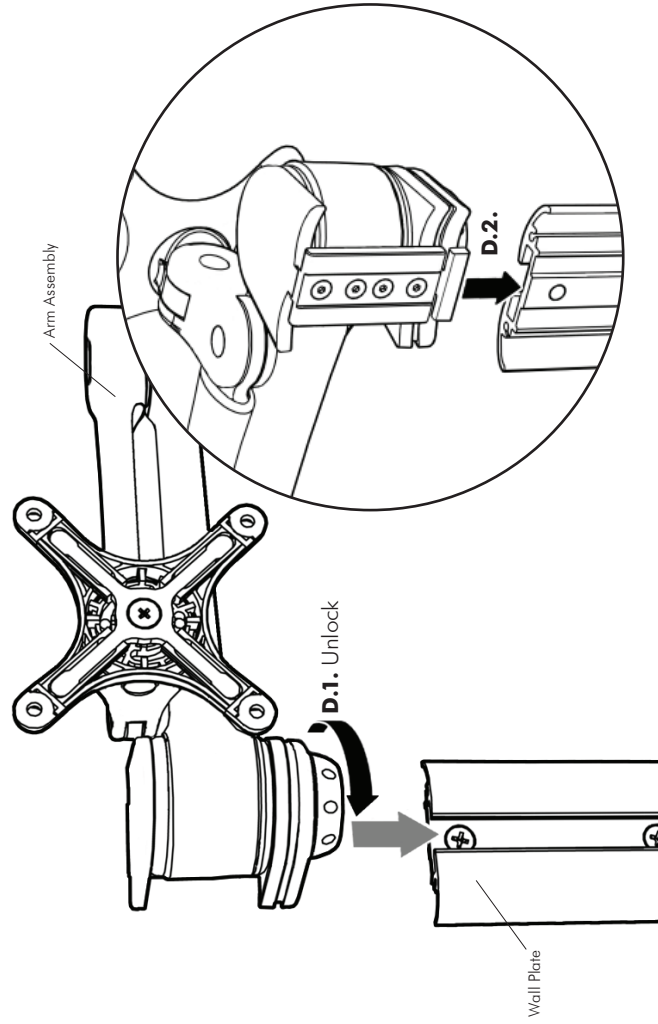
Choose the appropriate installation procedure depending on your wall type.



**Tip:** Use a Spirit Level to ensure Wall Plate is installed vertically.

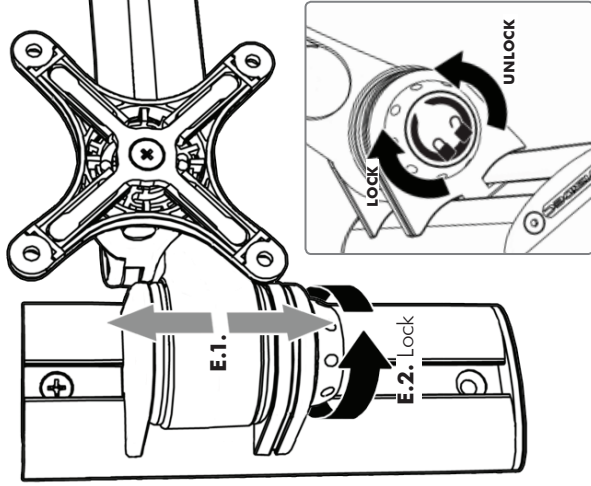
### © Installing the Arm

**D.1.** Unlock the Locking Dial as shown  
**D.2.** Insert the arm into the Wall Plate



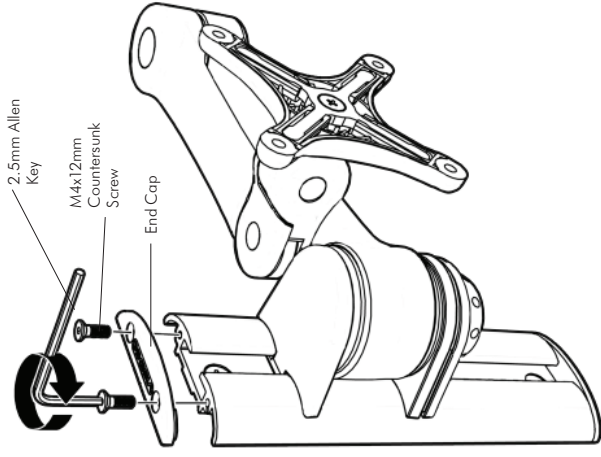
### © Positioning and Securing the Arm

**E.1.** Adjust the arm to your preferred height  
**E.2.** Lock to secure the arm



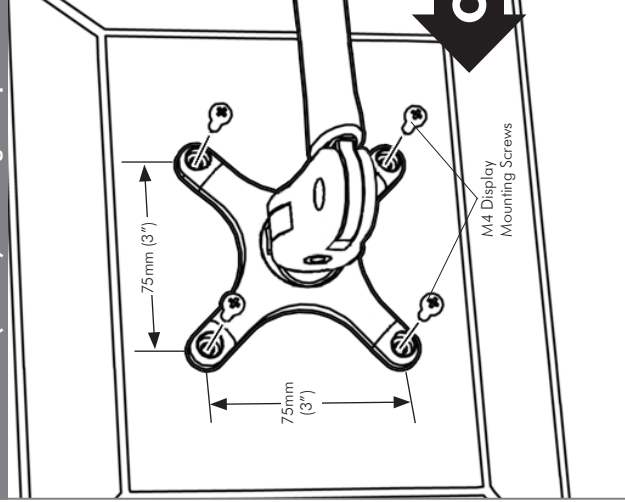
### © Securing the End Cap

Secure the End Cap with the supplied M4x12mm Countersunk Screws and 2.5mm Allen Key.



### © Attaching the Display using The FlexiStar™ mechanism

**75mm x 75mm (3" x 3") mounting hole pattern**



**OR**

**100mm x 100mm (4" x 4") mounting hole pattern**

