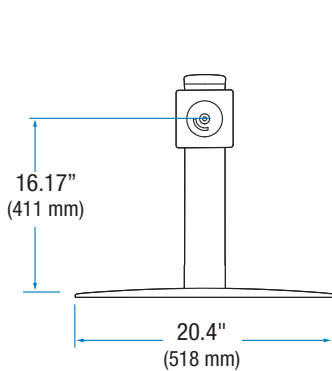


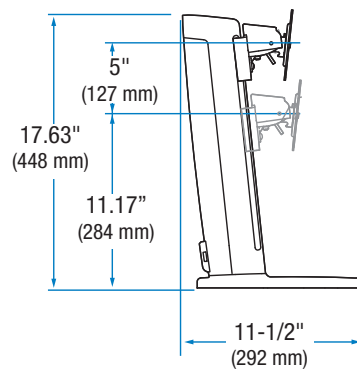
Ergotron® Neo-Flex™

Dimensional &
Range of Motion
Illustrations

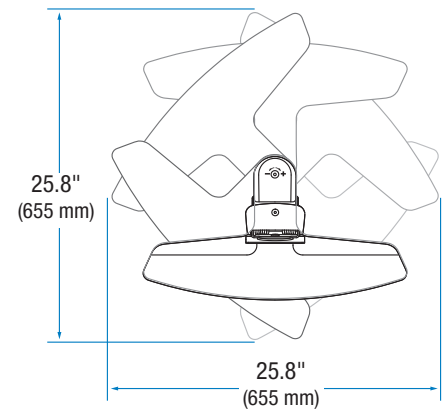
Neo-Flex Widescreen Lift Stand: 33-329-085



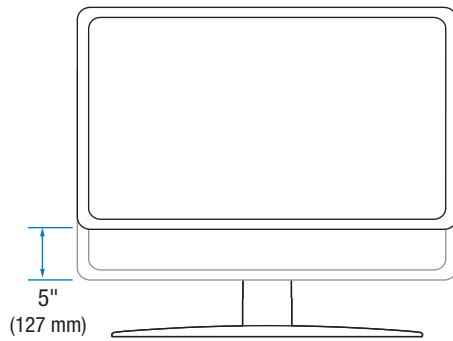
Front View



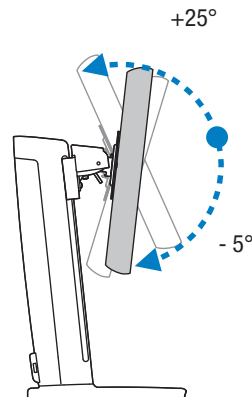
Side View



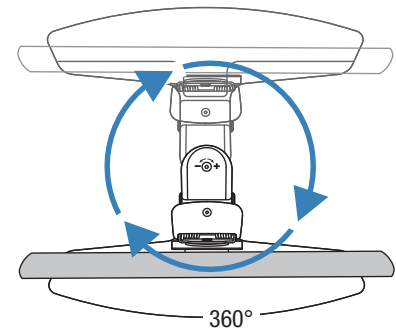
Top View



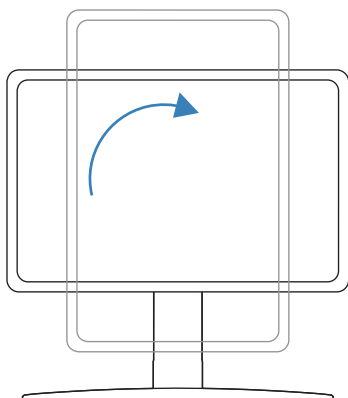
Front View



Side View

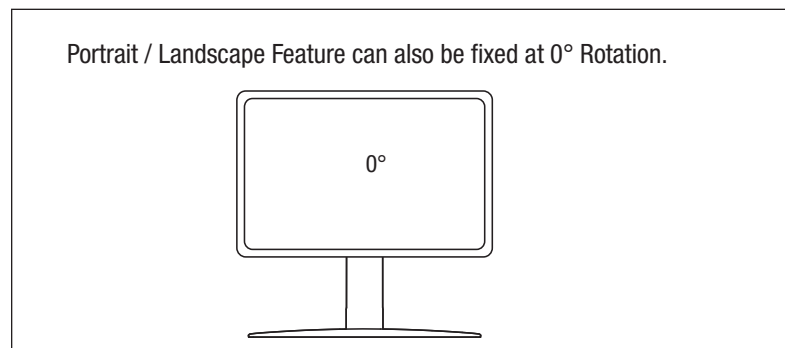


Top View



For full rotation, screen size must not exceed 32".

Front View



© 2010 Ergotron, Inc. rev. 08/04/2010 DIM-074-C Content is subject to change without notification

Americas Sales and Corporate Headquarters

St. Paul, MN USA
(800) 888-8458
+1-651-681-7600
www.ergotron.com
sales@ergotron.com

EMEA Sales

Amersfoort, The Netherlands
+31 33 45 45 600
www.ergotron.com
info.eu@ergotron.com

APAC Sales

Singapore
www.ergotron.com
info.apac@ergotron.com

Worldwide OEM Sales

www.ergotron.com
info.oem@ergotron.com

Attention: Listed allowable widths assume monitor thickness is 4" (102 mm). If monitor thickness is less, allowable width may be more. Contact Ergotron for details.