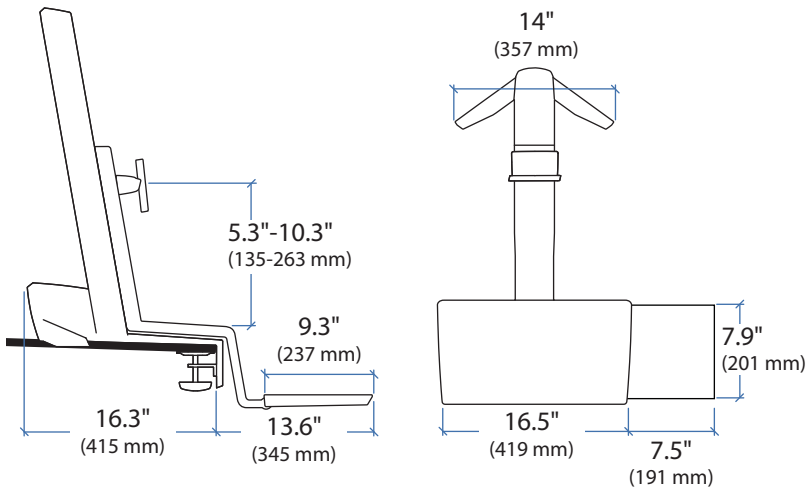
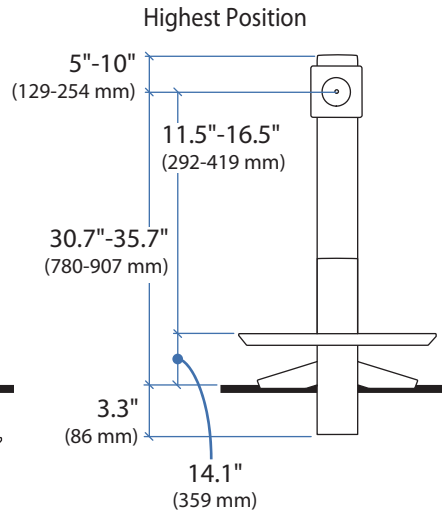
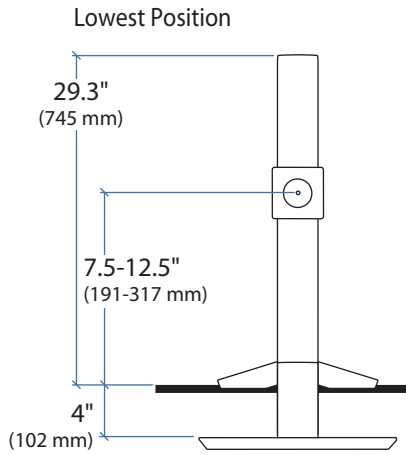
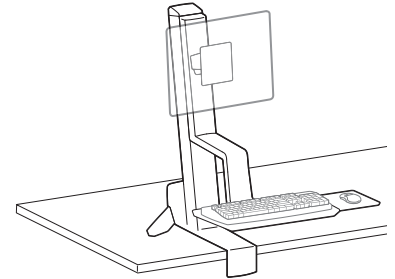
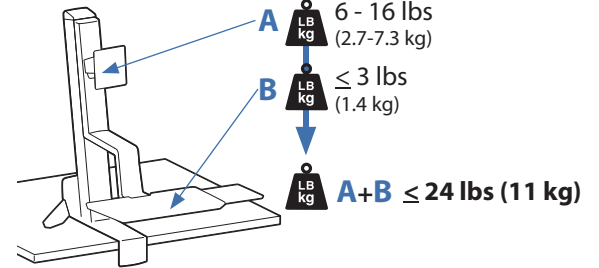


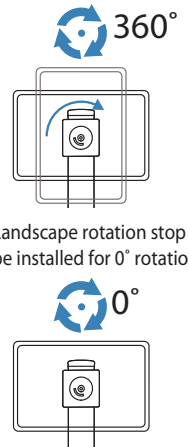
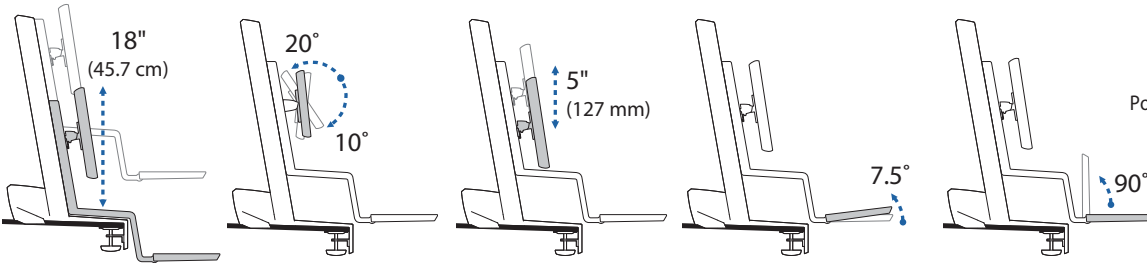
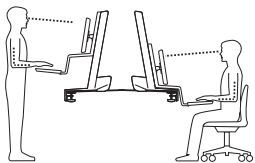
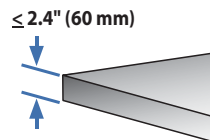
### WorkFit-S, Single LCD Mount, LD



Weight Capacity:



Desk Thickness:



© 2010 Ergotron, Inc. rev. 11/01/2010 DIM-WorkFit-S Content is subject to change without notification

#### Americas Sales and Corporate Headquarters

St. Paul, MN USA  
 (800) 888-8458  
 +1-651-681-7600  
 www.ergotron.com  
 sales@ergotron.com

#### EMEA Sales

Amersfoort, The Netherlands  
 +31 33 45 45 600  
 www.ergotron.com  
 info.eu@ergotron.com

#### APAC Sales

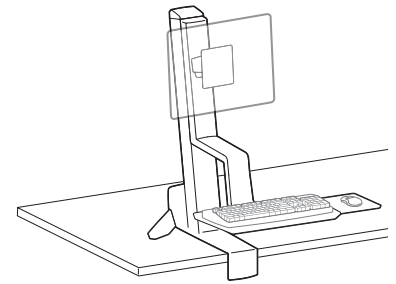
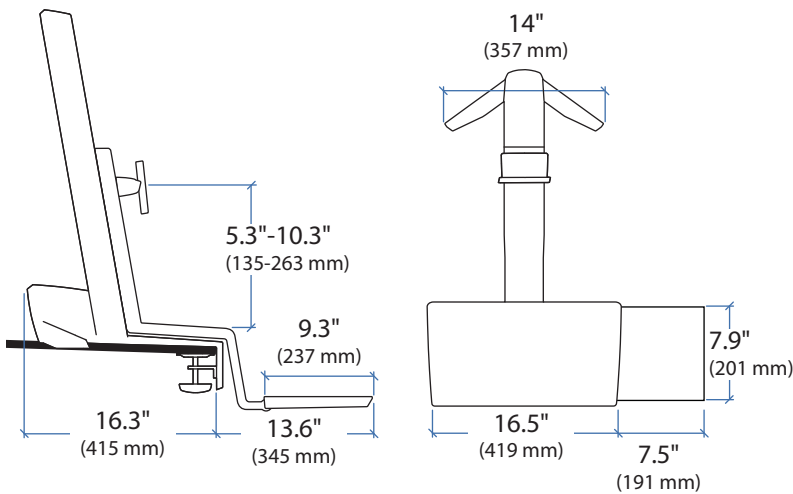
Tokyo, Japan  
 www.ergotron.com  
 apaccustomerservice@ergotron.com

#### Worldwide OEM Sales

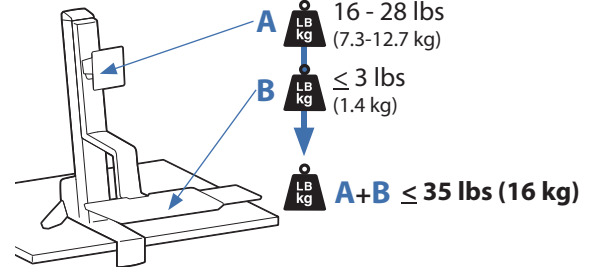
www.ergotron.com  
 info.oem@ergotron.com



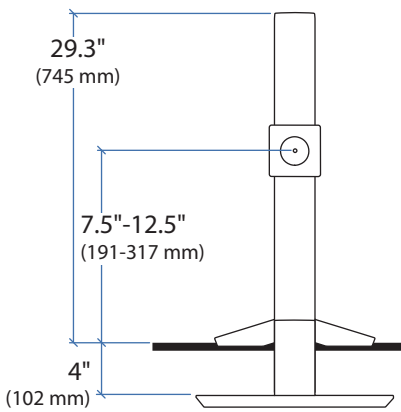
### WorkFit-S, Single LCD Mount, HD



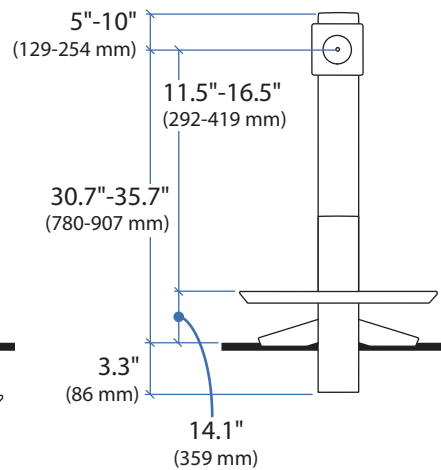
#### Weight Capacity:



#### Lowest Position

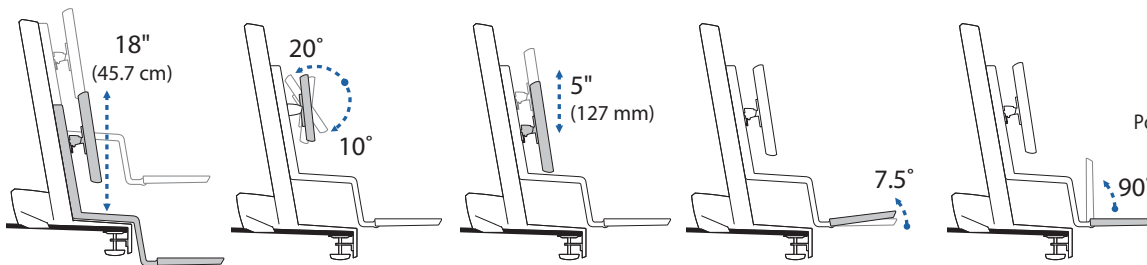
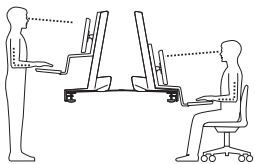
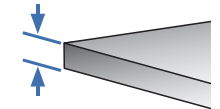


#### Highest Position

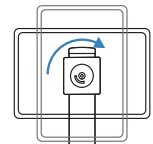


#### Desk Thickness:

≤ 2.4" (60 mm)

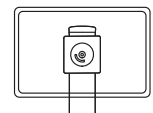


360°



Portrait/Landscape rotation stop screw can be installed for 0° rotation.

0°



© 2010 Ergotron, Inc. rev. 11/01/2010 DIM-WorkFit-S Content is subject to change without notification

#### Americas Sales and Corporate Headquarters

St. Paul, MN USA  
(800) 888-8458  
+1-651-681-7600  
www.ergotron.com  
sales@ergotron.com

#### EMEA Sales

Amersfoort, The Netherlands  
+31 33 45 45 600  
www.ergotron.com  
info.eu@ergotron.com

#### APAC Sales

Tokyo, Japan  
www.ergotron.com  
apaccustomerservice@ergotron.com

#### Worldwide OEM Sales

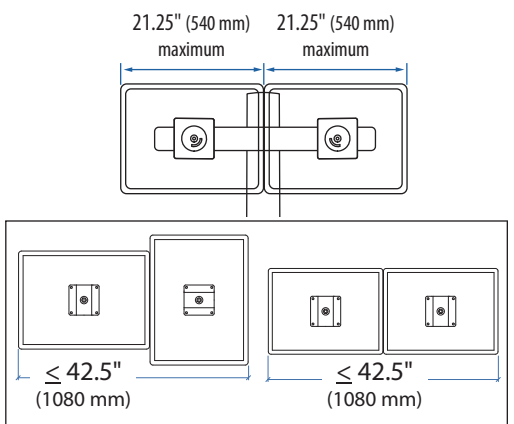
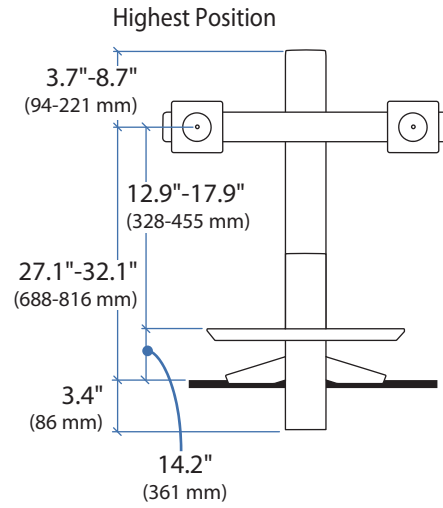
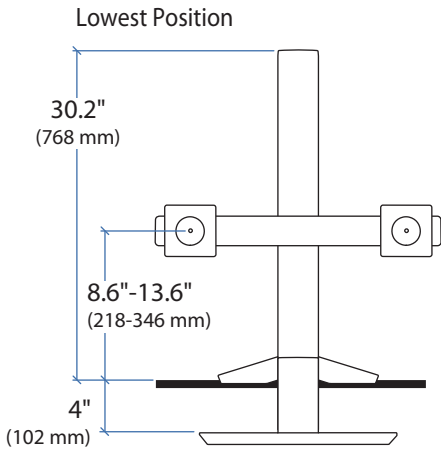
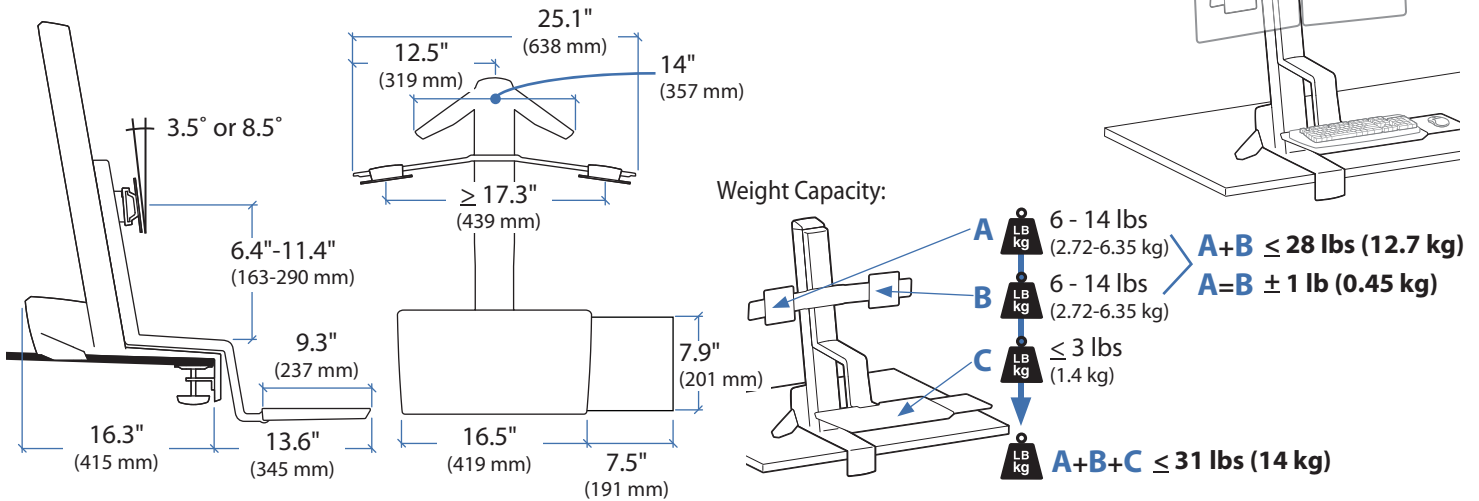
www.ergotron.com  
info.oem@ergotron.com



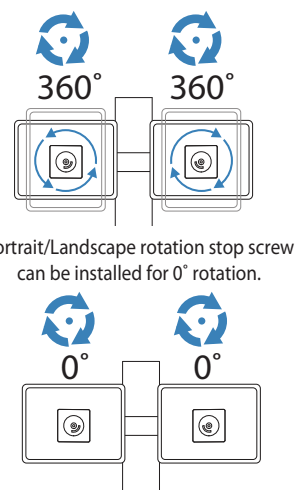
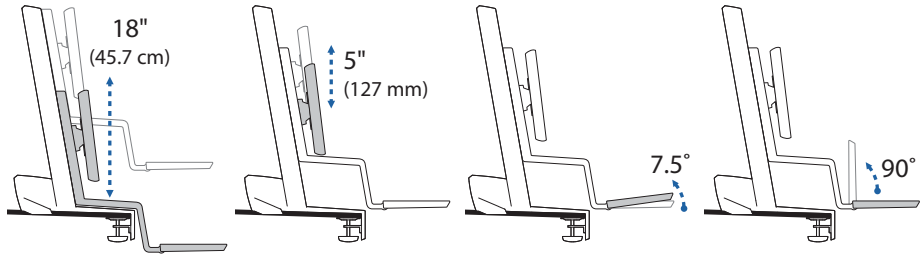
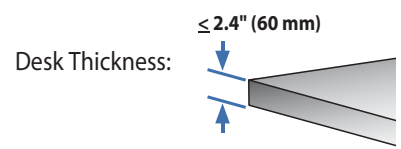
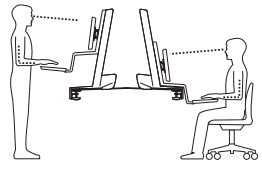
# Ergotron®

## Dimensional & Range of Motion Illustrations

### WorkFit-S, Dual



**\*Attention:** Listed allowable widths assume monitor thickness is 2" (51 mm). If monitor thickness is less, allowable width may be more. Contact Ergotron for details.

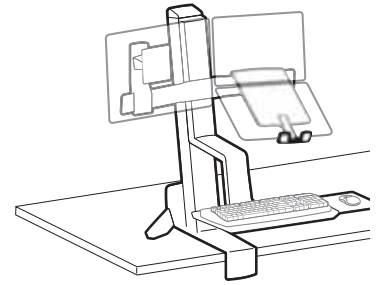
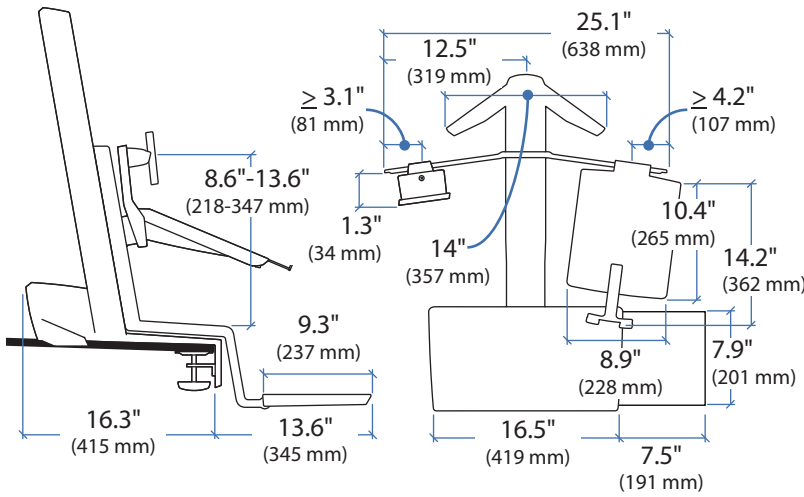


© 2010 Ergotron, Inc. rev. 11/01/2010 DIM-WorkFit-S Content is subject to change without notification

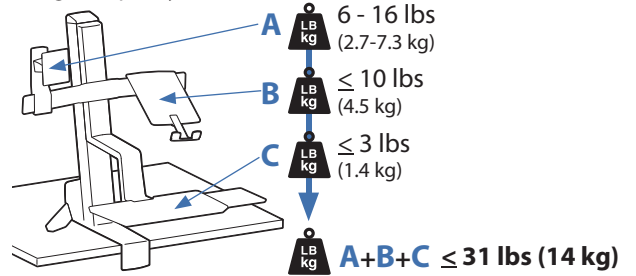
Americas Sales and Corporate Headquarters	EMEA Sales	APAC Sales	Worldwide OEM Sales
St. Paul, MN USA (800) 888-8458 +1-651-681-7600 www.ergotron.com sales@ergotron.com	Amersfoort, The Netherlands +31 33 45 45 600 www.ergotron.com info.eu@ergotron.com	Tokyo, Japan www.ergotron.com apaccustomerservice@ergotron.com	www.ergotron.com info.oem@ergotron.com



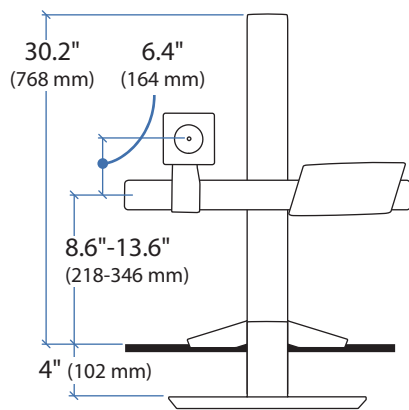
### WorkFit-S, LCD & Laptop



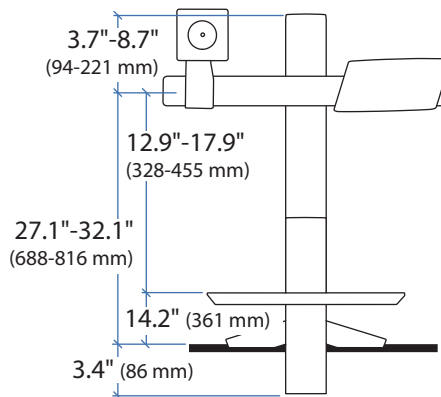
Weight Capacity:



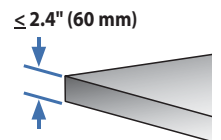
Lowest Position



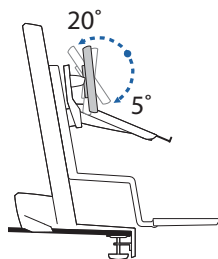
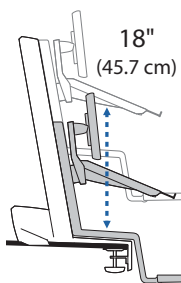
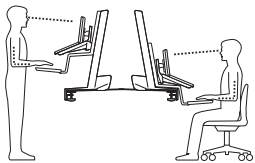
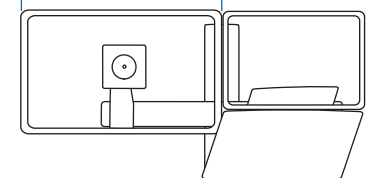
Highest Position



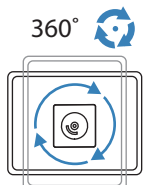
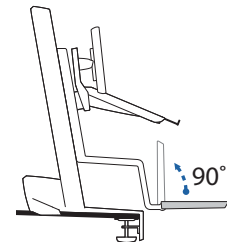
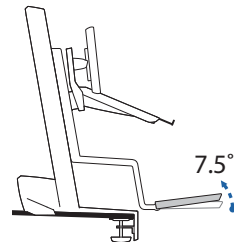
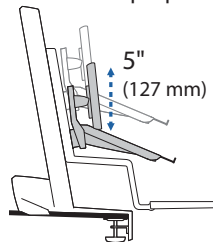
Desk Thickness:



18.8" max (478 mm)



LCD and Laptop Tray



© 2010 Ergotron, Inc. rev. 11/01/2010 DIM-WorkFit-S Content is subject to change without notification

**Americas Sales and Corporate Headquarters**

St. Paul, MN USA  
 (800) 888-8458  
 +1-651-681-7600  
 www.ergotron.com  
 sales@ergotron.com

**EMEA Sales**

Amersfoort, The Netherlands  
 +31 33 45 45 600  
 www.ergotron.com  
 info.eu@ergotron.com

**APAC Sales**

Tokyo, Japan  
 www.ergotron.com  
 apaccustomerservice@ergotron.com

**Worldwide OEM Sales**

www.ergotron.com  
 info.oem@ergotron.com

