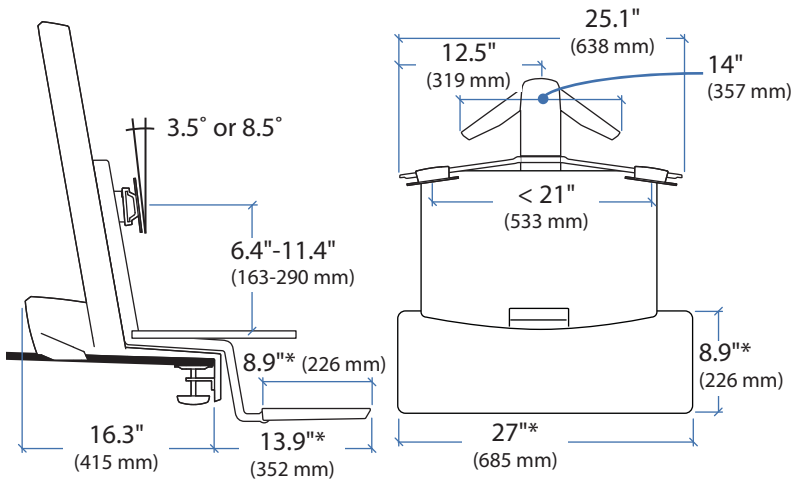
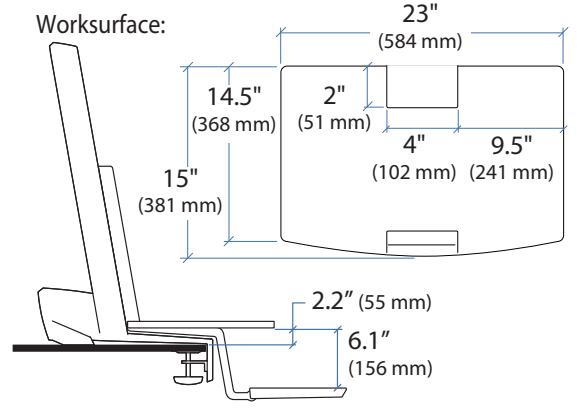
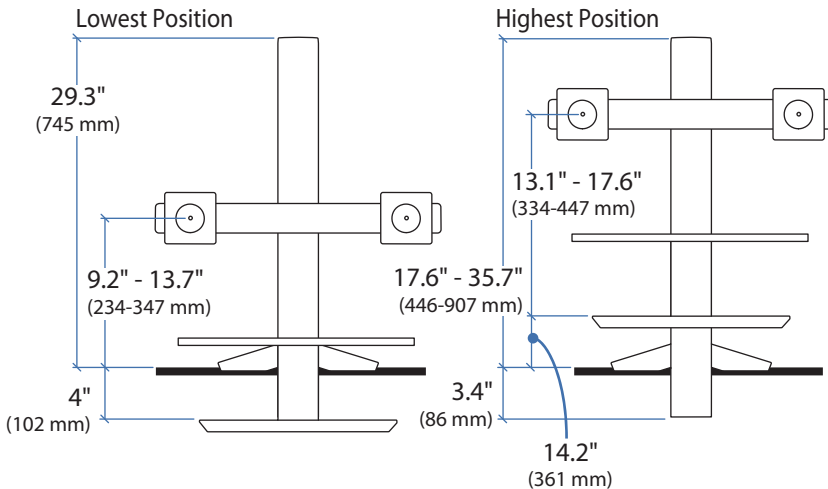
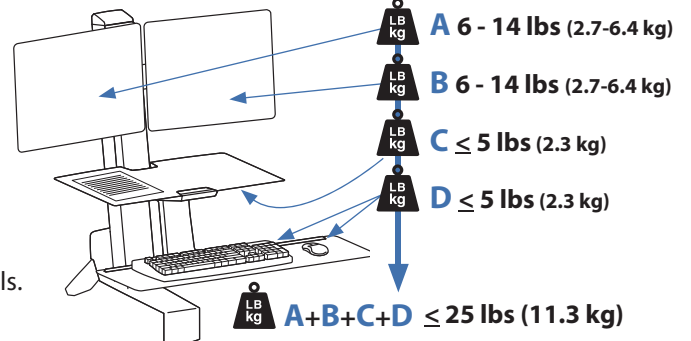


WorkFit-S with Worksurface, Dual

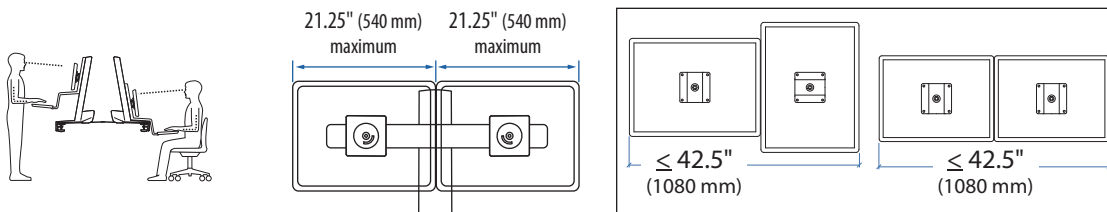


*Keyboard Tray has 9 Mounting Locations - see page 5 for details.

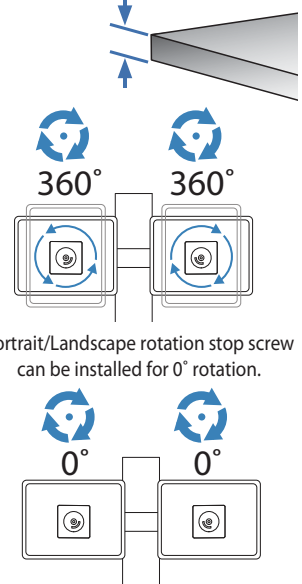
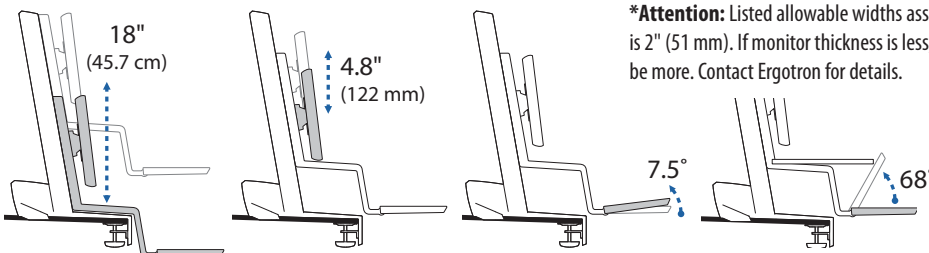
Weight Capacity:



Desk Thickness: $\leq 2.4''$ (60 mm)



***Attention:** Listed allowable widths assume monitor thickness is 2" (51 mm). If monitor thickness is less, allowable width may be more. Contact Ergotron for details.



Portrait/Landscape rotation stop screw can be installed for 0° rotation.

© 2012 Ergotron, Inc. rev. 02/01/2012 DIM-WorkFit-S-Worksurface Content is subject to change without notification

Americas Sales and Corporate Headquarters

St. Paul, MN USA
(800) 888-8458
+1-651-681-7600
www.ergotron.com
sales@ergotron.com

EMEA Sales

Amersfoort, The Netherlands
+31 33 45 45 600
www.ergotron.com
info.eu@ergotron.com

APAC Sale

Tokyo, Japan
www.ergotron.com
apaccustomerservice@ergotron.com

Worldwide OEM Sales

www.ergotron.com
info.oem@ergotron.com

