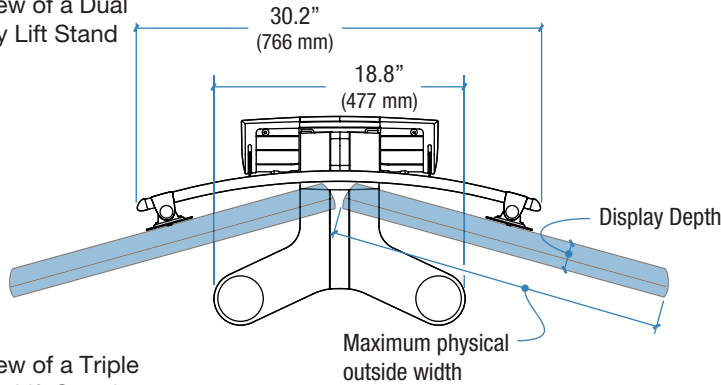


Dual and Triple Lift Stands

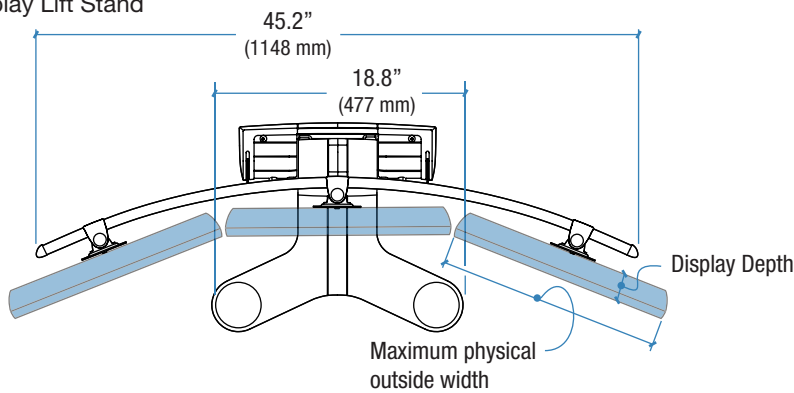
Top view of a Dual Display Lift Stand



Dual Mount Displays

Maximum Width	Depth
25.00" (635.0 mm)	2" (50.8 mm)
24.75" (628.7 mm)	3" (76.2 mm)
24.38" (619.3 mm)	4" (101.6 mm)
23.75" (603.3 mm)	5" (127.0 mm)

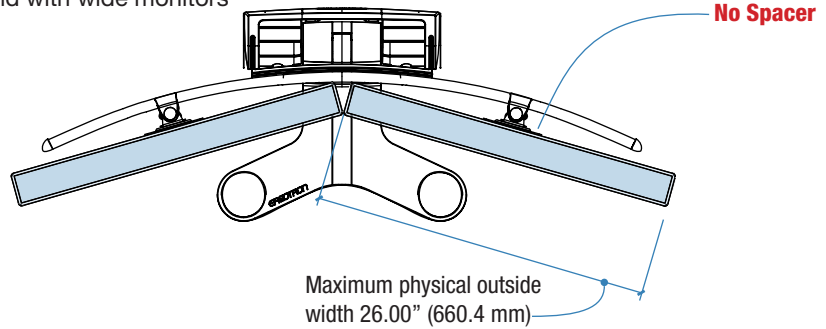
Top view of a Triple Display Lift Stand



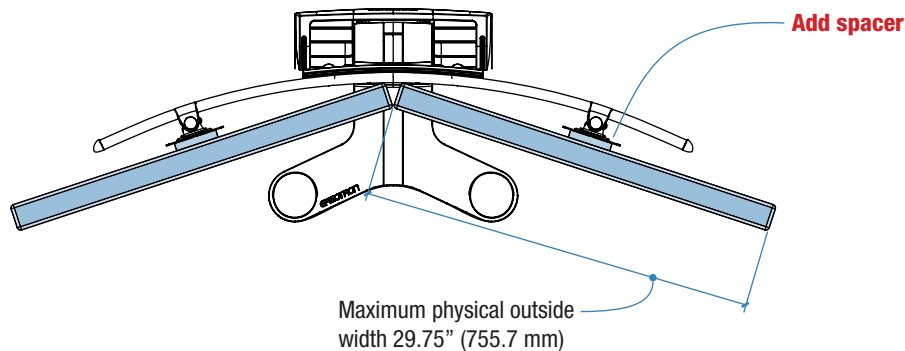
Triple Mount Displays

Maximum Width	Depth
20.25" (514.3 mm)	2" (50.8 mm)
19.75" (501.7 mm)	3" (76.2 mm)
19.25" (489.0 mm)	4" (101.6 mm)
19.00" (482.6 mm)	5" (127.0 mm)

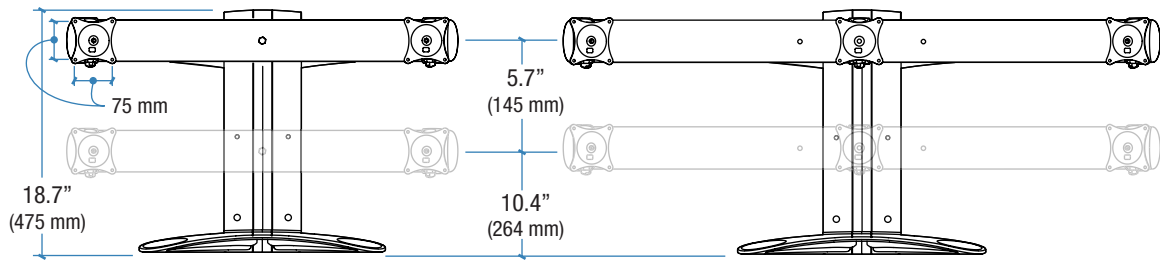
Top view of a Triple Display Lift Stand with wide monitors



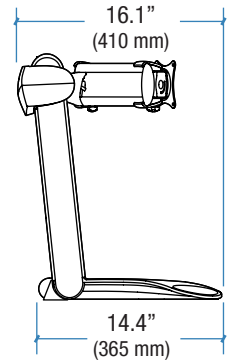
Top view of a Triple Display Lift Stand with wide monitors



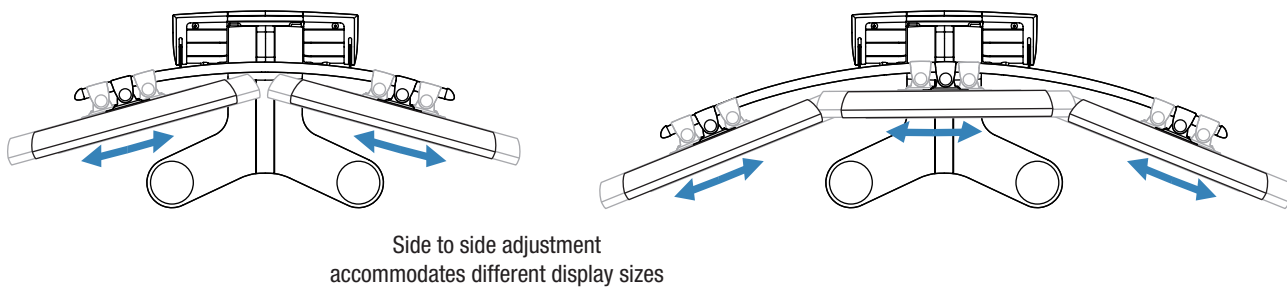
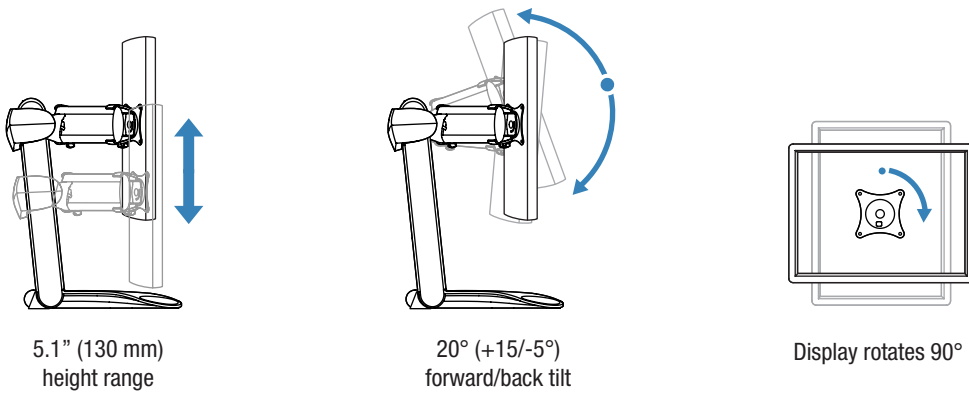
Front views



Side view



Range of Motion



© 2007 Ergotron, Inc. rev. 06/05/2007 DIM-065 Content is subject to change without notification

Americas Sales and Corporate Headquarters

St. Paul, MN USA
 (800) 888-8458
 +1-651-681-7600
 www.ergotron.com
 sales@ergotron.com

EMEA Sales

Amersfoort, The Netherlands
 +31 33 45 45 600
 www.ergotron.com
 info.eu@ergotron.com

APAC Sales

Singapore
 www.ergotron.com
 info.apac@ergotron.com

Worldwide OEM Sales

www.ergotron.com
 info.oem@ergotron.com

