



Visidec freestanding | dual horizontal VFS-DH

Fits most displays from 12" to 24"



Mounting hole pattern:
from 75mm to 75mm wide
from 100mm to 100mm high



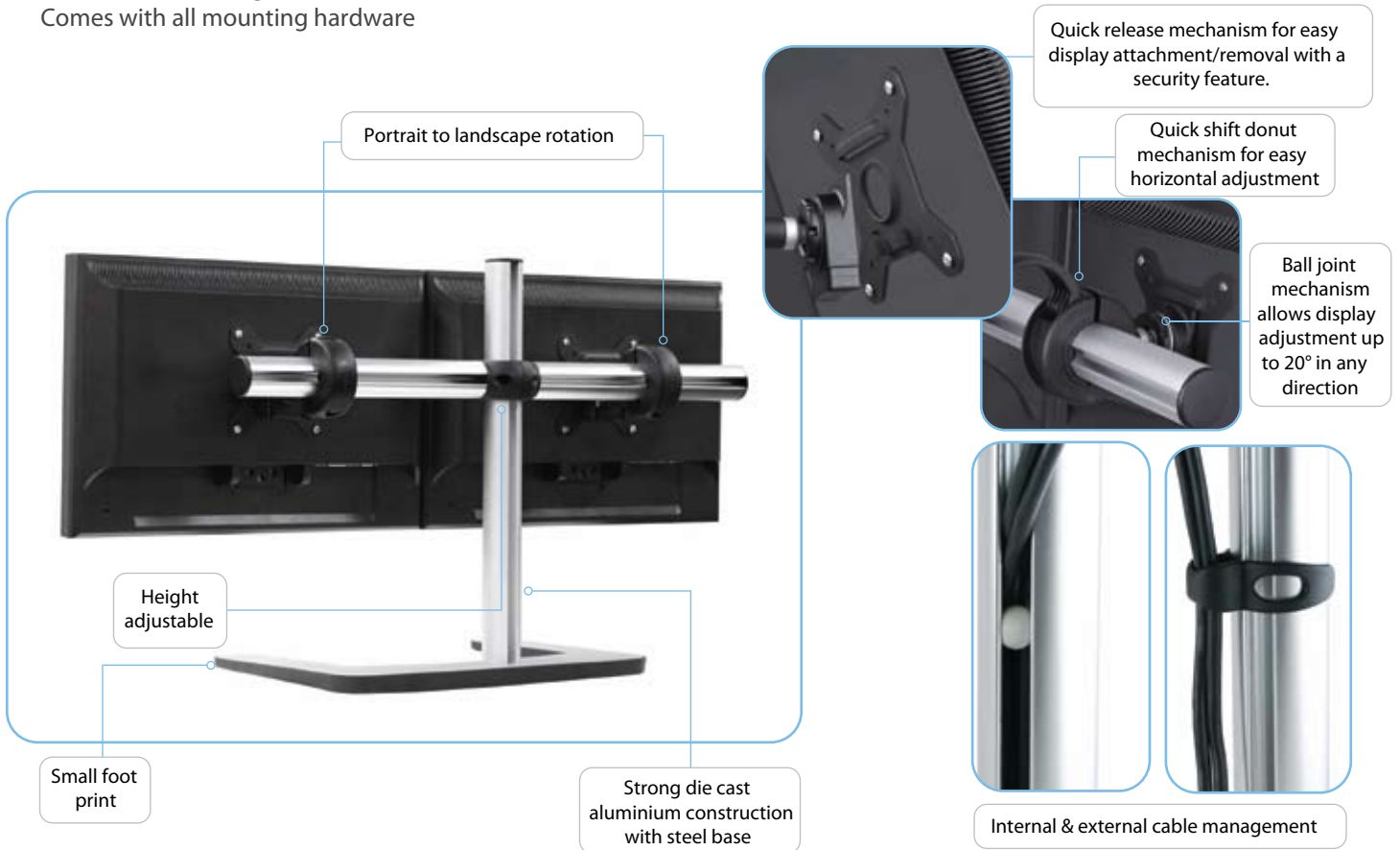
Maximum weight carrying capacity:
12kg (26.5lbs)

The Visidec VFS-DH dual horizontal freestanding desk mount is an ideal accessory for any dual monitor application. Being able to mount two screens side by side with such versatility of movement creates a superior workspace for optimum productivity. Both monitors can be independently and infinitely adjusted up to 20° in any direction, and provides landscape to portrait rotation. The unique QuickShift lever also provides horizontal adjustment without the need for a single tool. An elegant design with a footprint so small, at just 422mm (16.25") x 305mm (12"), leaving your desk clear of clutter with the flexibility to be located anywhere on the desk.



Product key features:

- ✕ Flexible solution for dual horizontal display requirements
- ✕ Made from strong die cast aluminum with a steel base
- ✕ Ball joint mechanism allows infinite adjustment of displays up to 20° in any direction
- ✕ Portrait to landscape rotation
- ✕ Pole height: 475mm (18.6")
- ✕ Quick release mechanism for fast display attachment/removal with a security feature
- ✕ QuickShift lever mechanism for quick and tool-less display installation and easy horizontal adjustment
- ✕ Small footprint of 422mm (16.25") wide by 305mm (12") deep
- ✕ Internal cable management
- ✕ Comes with all mounting hardware



Product information, single unit

Load capacity	Material	Color
12kg (26.5lbs) per display	Aluminum/Steel	Silver

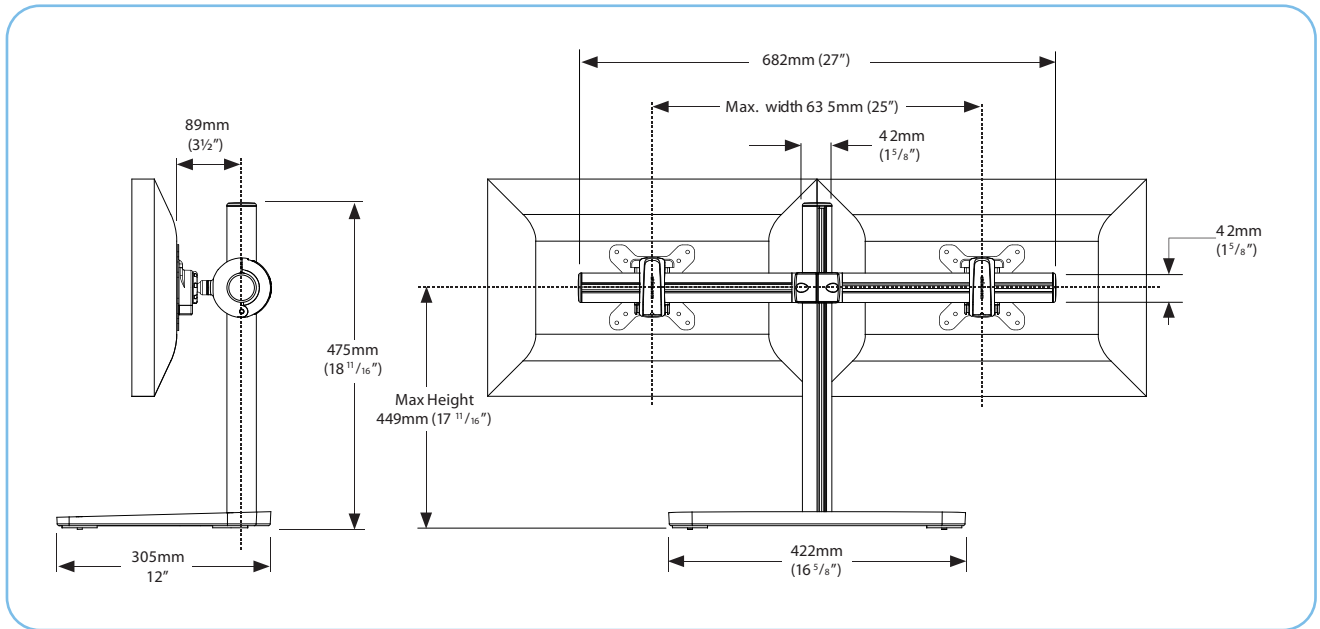
Package information, single unit

Size	Ship weight	UPC code	Contents
53cm x 34cm x 11cm (20.25" x 13.5" x 4.25")	5.8kg (13.2lbs)	881493005129	All hardware required for installation supplied

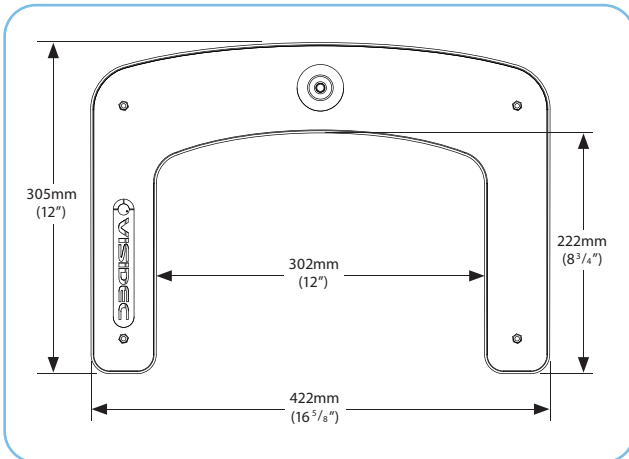
Package information, master pack

Size	Ship weight	UPC	Units per master pack
53cm x 36cm x 34cm (21" x 14" x 14")	20kg (40.6lbs)	881493005174	3

Technical drawings



Base Dimensions



VESA Display Base Dimensions Mounting Options

