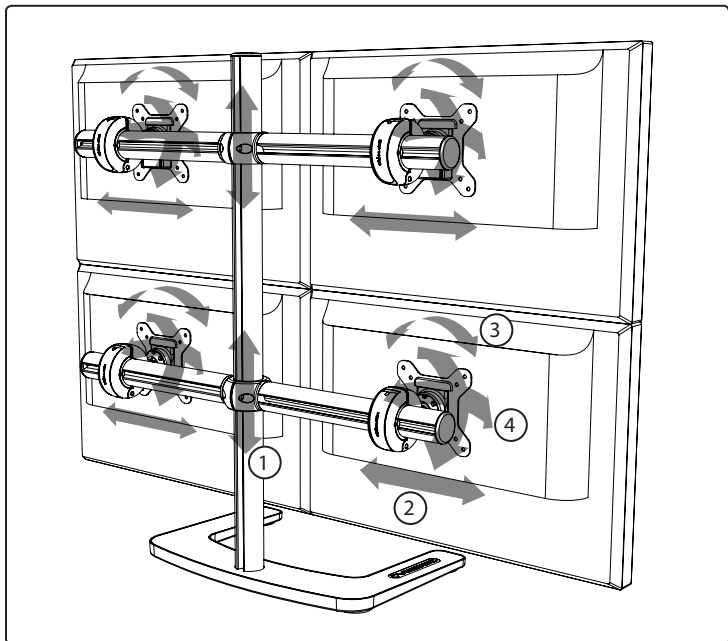




General Features



Display Compatibility:
 Visidec Freestanding Quad is compatible with most Flat Panel Displays between 12" (30cm) and 24" (61cm) that feature either 75mm x 75mm (3 x 3") or 100mm x 100mm (4 x 4") VESA mounting hole patterns

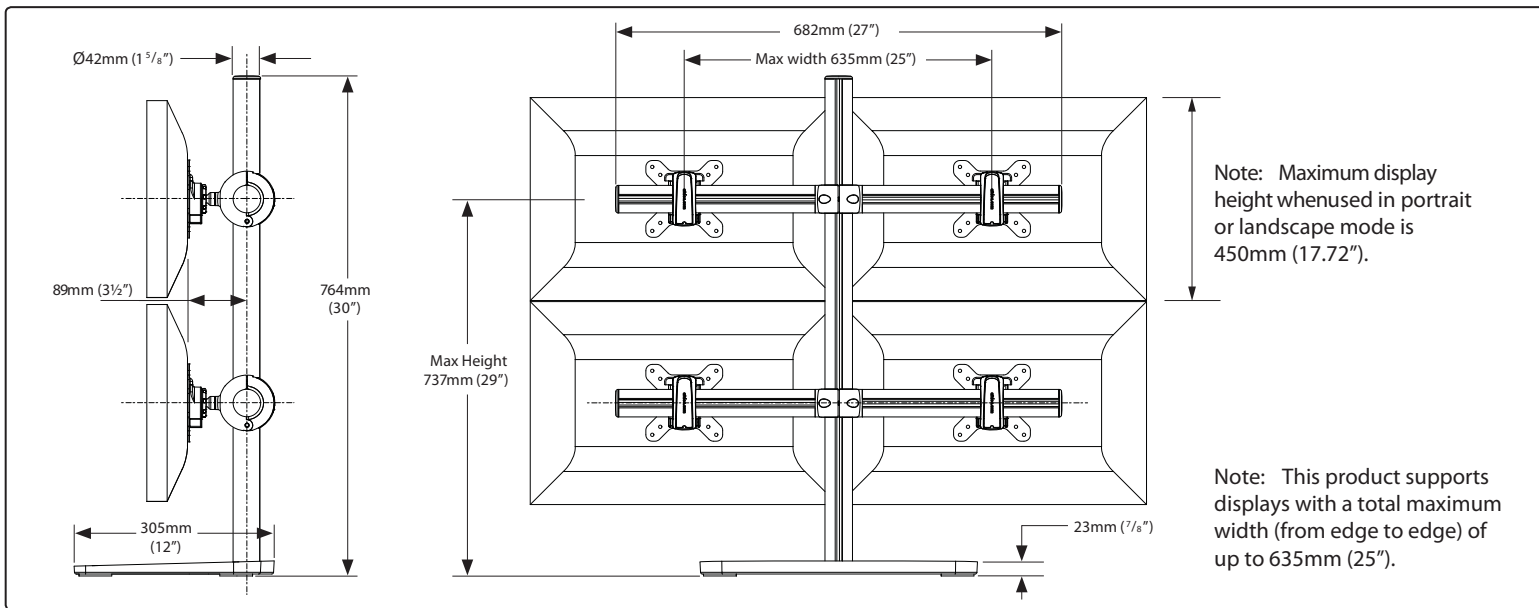
Display Weight Compatibility:
 Each Quickshift Donut supports a maximum weight of 12kg (26½lbs)

Cable Management:
 Cable Slot, Cable Clips and Cable Balls (included in package)

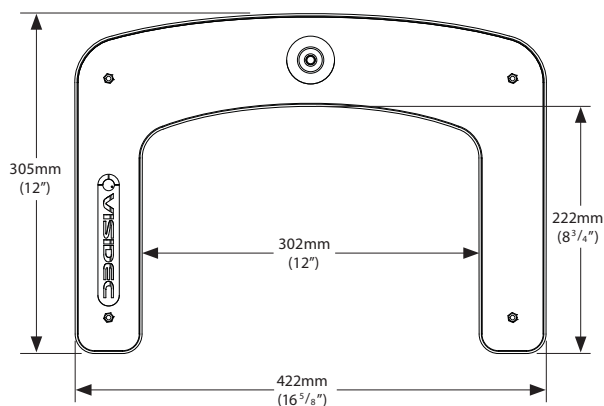
Colour Options:
 - Pole available in Matt Silver Anodised only
 - Quickshift Donut available in Black only
 - Base available in Black/Silver only

Warranty:
 5 years limited

- ① Vertical height adjustment
- ② Horizontal adjustment
- ③ 360°Portrait/Landscape adjustment
- ④ 40° Pan/Tilt adjustment



Base Dimensions



VESA Ball Mounting Options

Choose the correct mounting screws supplied in the Hardware box and attach the display as shown.

