

Installation Instructions

VISIDEC

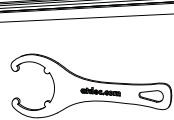
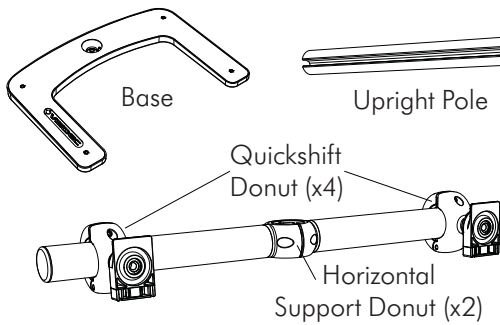
Freestanding | Quad

IMPORTANT INFORMATION

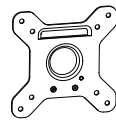
- ! Each Quickshift Donut supports Flat Panel Displays from 12" (30cm) to 24" (61cm) and supports a maximum weight of 12kg (26½lbs).
- ! This product suits VESA compliant displays with 75mm x 75mm (3" x 3") and 100mm x 100mm (4" x 4") mounting hole patterns.
- ! The manufacturer does not accept responsibility for incorrect installation.

Component Checklist

Check you have received all parts against this component checklist prior to installation.



Tightening Tool



VESA plate (x4)

TOOLS REQUIRED:

- Phillips Head Screw Driver

Hardware



M8x50mm Screw (x1)



Security Screw (x4)



Cable Clip (x4)



Cable Ball (x8)



2mm Allen Key (x1)



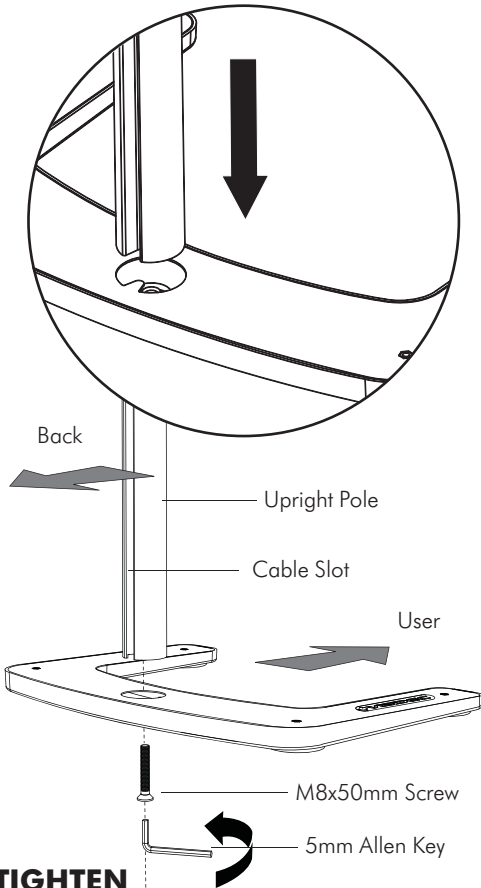
5mm Allen Key (x1)

Mounting Screws

- M4x10mm (x16)
- M4x12mm (x16)
- M4x16mm (x16)

Step 1. Attach Upright Pole to Base

Attach the Upright Pole to the Base as shown below. Ensure the Cable Slot faces towards the rear.

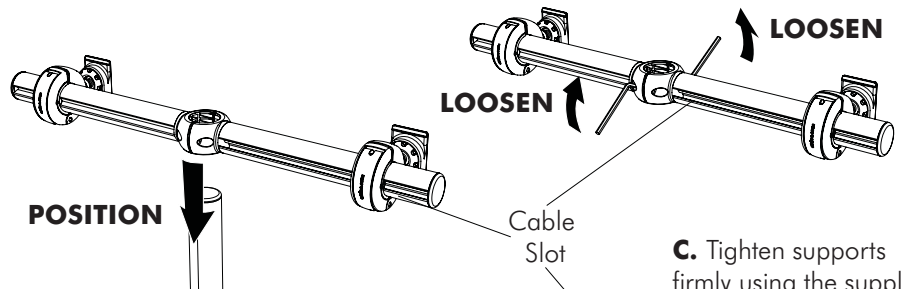


TIGHTEN FIRMLY

Step 2. Install Horizontal Support and Quickshift Donuts

Follow steps below to attach the Horizontal Support and Quickshift Donuts onto the Upright Pole. Ensure the Cable Slots in all the Poles are facing to the rear.

A. Slide the Horizontal Support to desired position

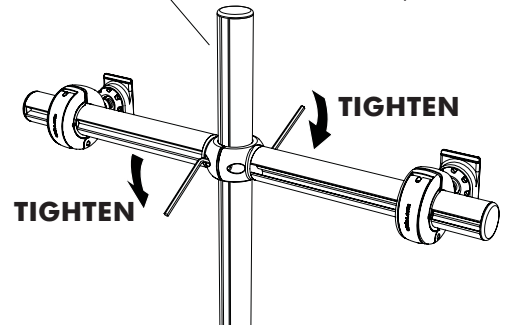
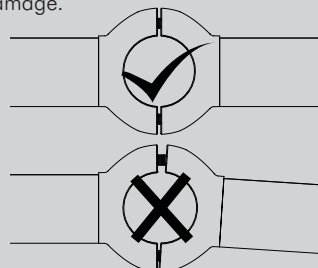


B. Loosen the hex cap screws in the Horizontal Support Donut using the supplied 5mm Allen Key

C. Tighten supports firmly using the supplied 5mm Allen Key

IMPORTANT:

When tightening the Donut Clamp, each of the Donut bolts must be tightened evenly, as failure to do so will damage the Donut Clamp. Do not over-tighten as this may also result in damage.



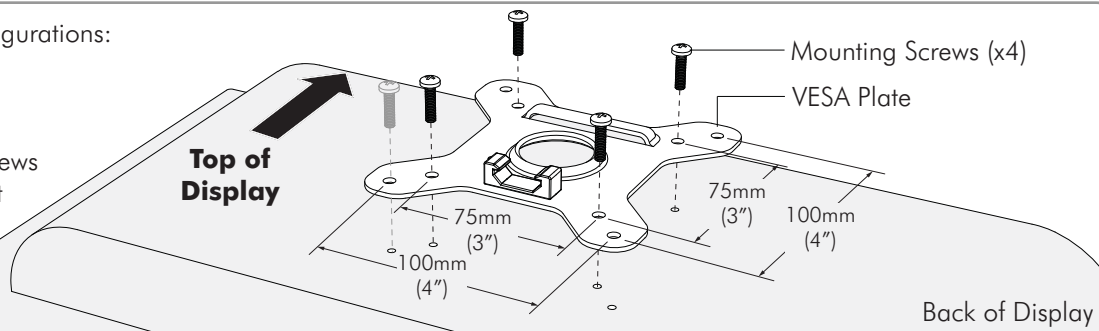
Repeat steps A, B and C for the 2nd set of Horizontal Support and Quickshift Donuts

Step 3. Attach the VESA plate to your Display (Repeat Steps 3 to 6 for each Display)

There are two mounting hole configurations:

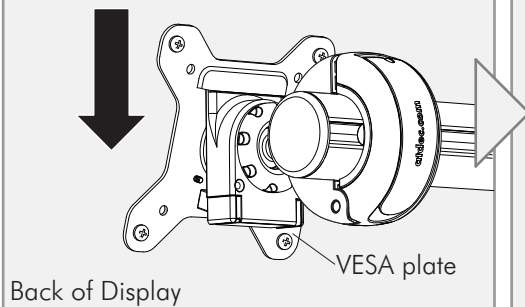
- 75 x 75mm
- 100 x 100mm

Choose appropriate Mounting Screws from the Hardware supplied to suit your Display.

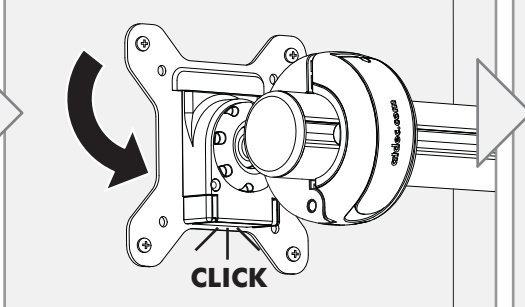


Step 4. Attach your Display to the Quickshift Donut

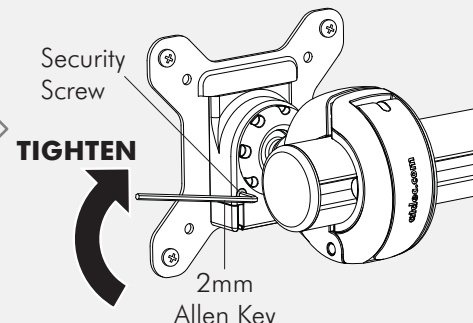
Hook the top of the VESA plate onto the Quickshift Mount.



Gently push the bottom of the Display into the Mount until you hear a 'CLICK'.

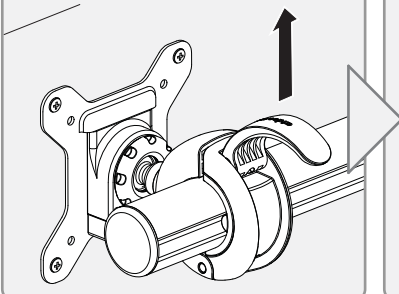


Insert the Security Screw, and tighten using the 2mm Allen Key.

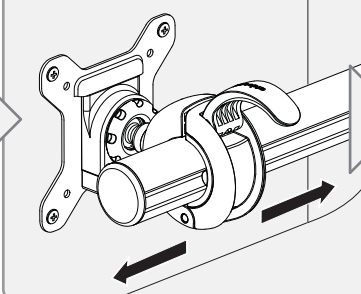


Step 5. Adjust the position of the Quickshift Donut (Ensure the Cable Slots in all the Poles are facing to the rear)

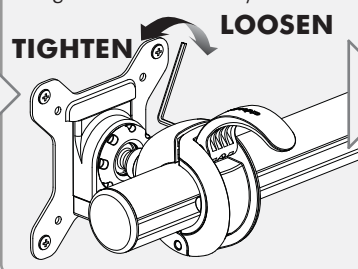
Open the lever to loosen the Quickshift Donut.



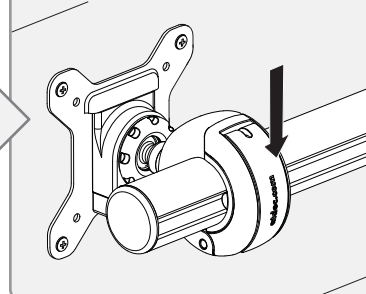
Slide the Quickshift Donut to the desired position.



If necessary, adjust the tension between the Donut and the Pole using the 5mm Allen key.

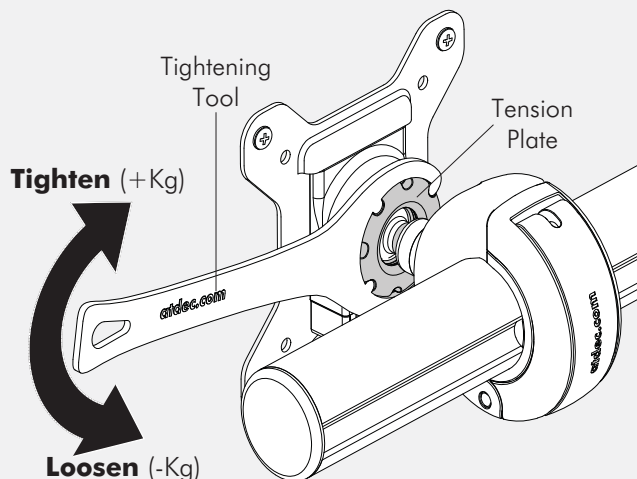


Close the lever to lock the Quickshift Donut in place.



Step 6. Adjust the VESA Ball Mount

Position your Display to the desired viewing angle, using the 40° angular movement allowed by the VESA Ball Mount. If the display does not hold its position, or is too resistant, adjust the Tension Plate (see diagram below). To make any adjustments, use the Tightening Tool supplied.



Step 7. Cable Management

Insert display cables into the slots in each pole, using Cable Balls to hold them in place. Push balls firmly into the slots.

