

SYSTEMA

Systema Range

General Features

Consist of:

- 4X SA71
- 2X SA13
- 1X SP75

Colours:

Silver and Anodised Aluminium

Max Load SA71:

8kg (17.64 lbs) per arm

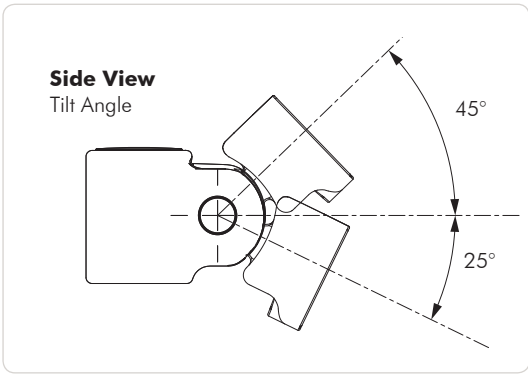
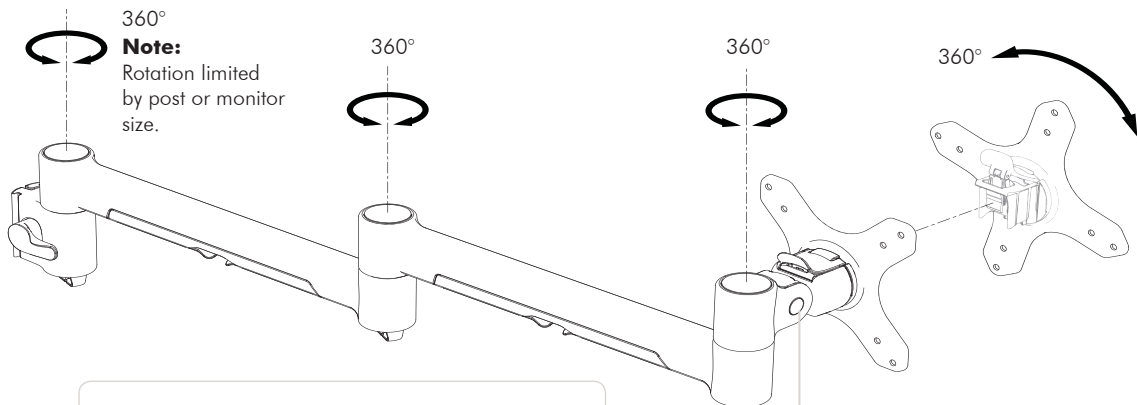
Warranty:

10 years limited

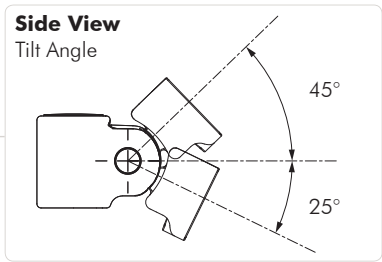
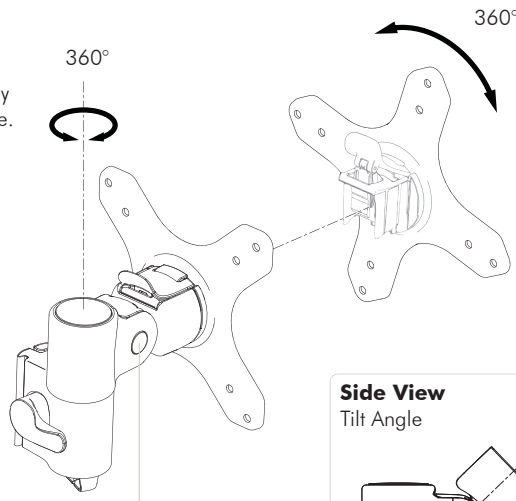
Max Load SA13:

12kg (26.46 lbs) per arm

Range Of Movement

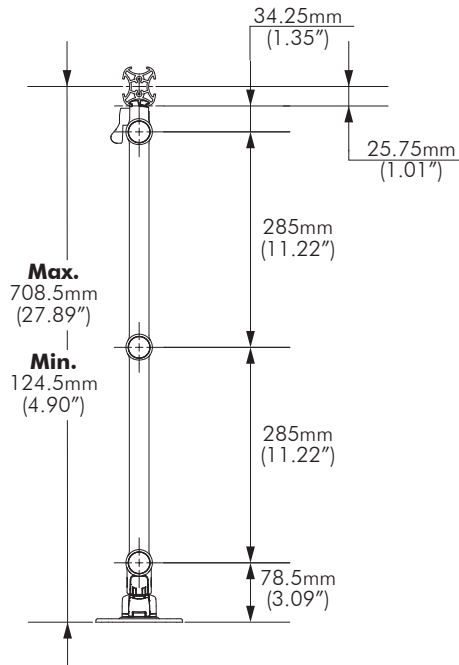


Note:
Rotation limited by post or screen size.

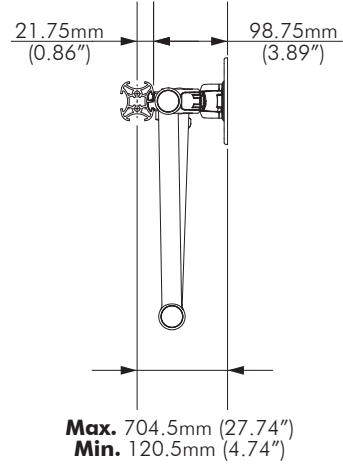


Monitor Arm | Range of Movement - Arm Dimensions & Extension

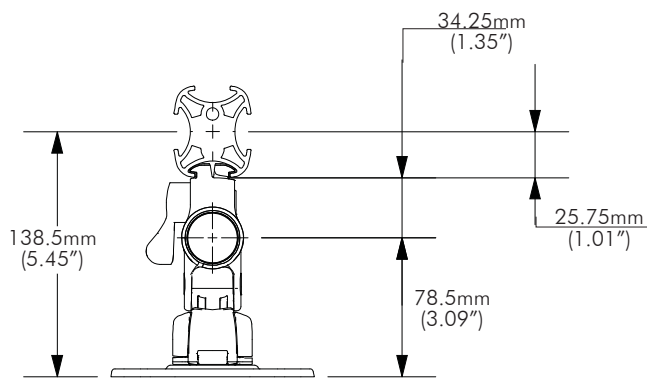
Front Attachment
(Maximum Extension shown)



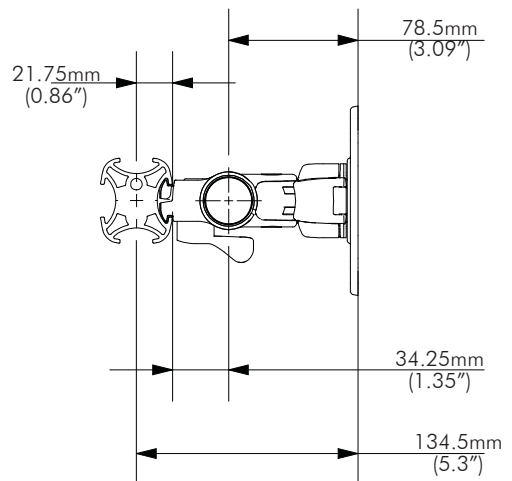
Side Attachment
(Minimum Extension shown)



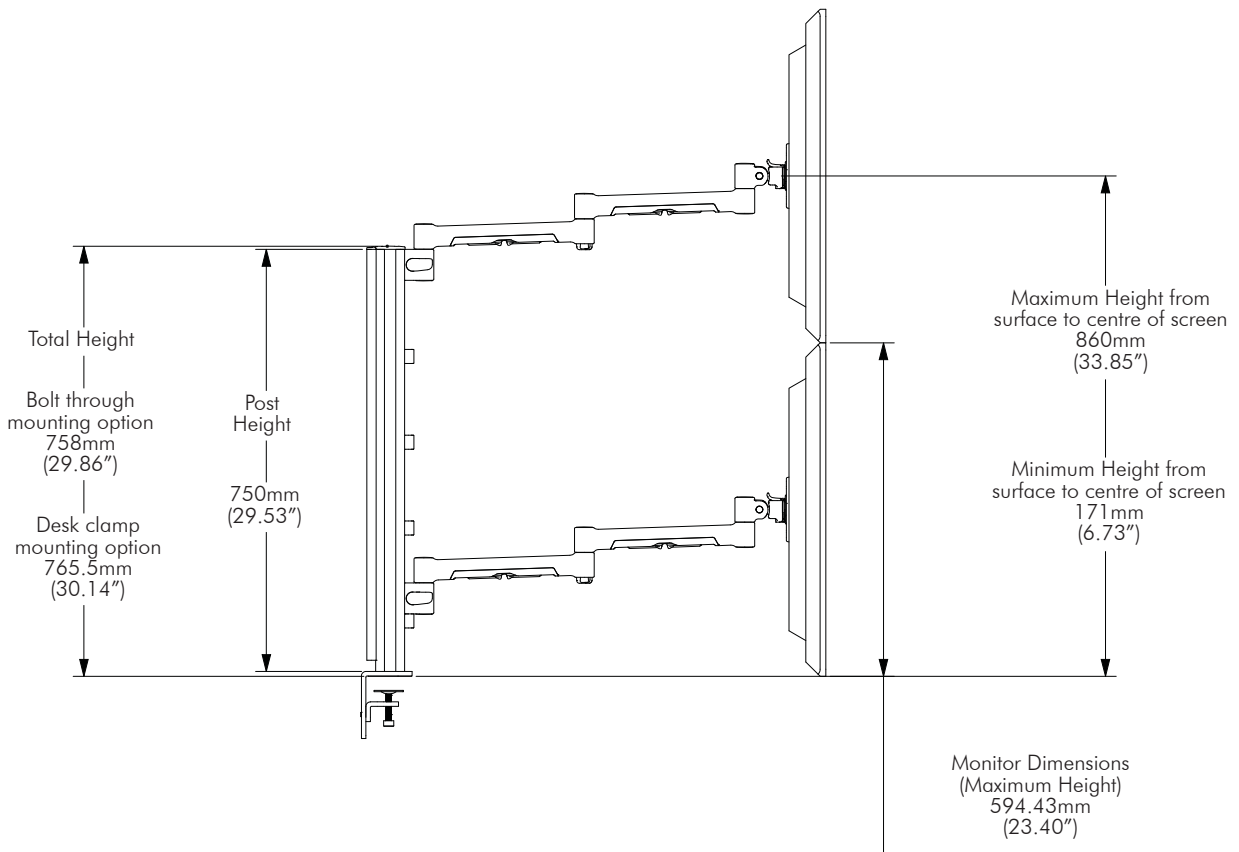
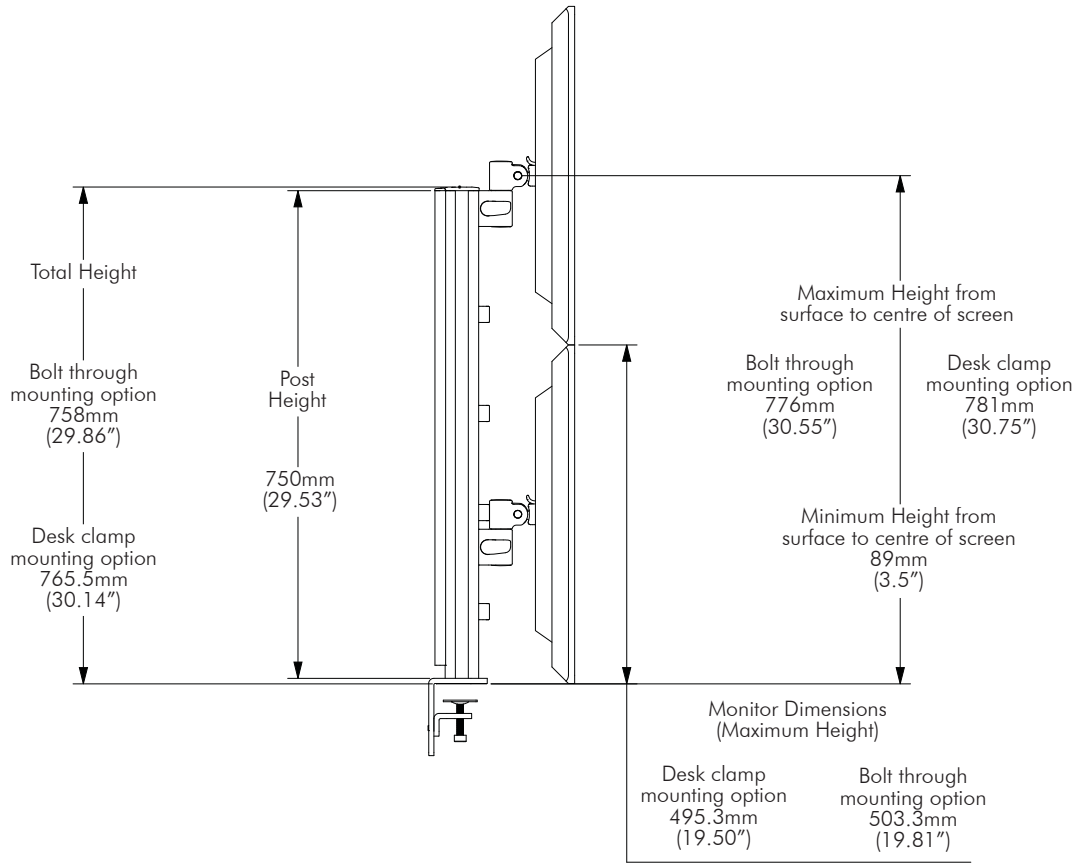
Front Attachment



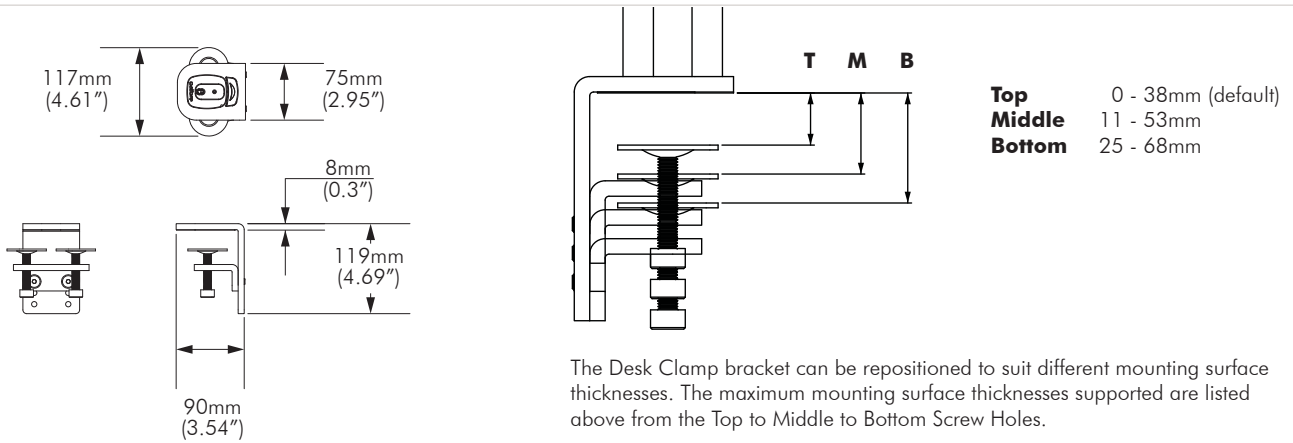
Side Attachment



Side View



Desk Clamp Mounting Options-Dimensions



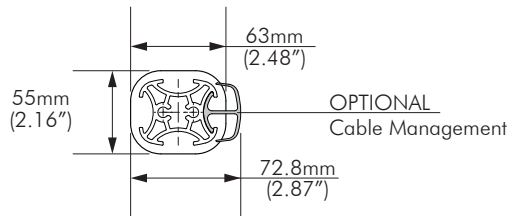
The Desk Clamp bracket can be repositioned to suit different mounting surface thicknesses. The maximum mounting surface thicknesses supported are listed above from the Top to Middle to Bottom Screw Holes.

Important! Any mounting surface must be capable of supporting the combined weight of all Systema products and attached monitors/devices. If in doubt, contact your mounting surface supplier.

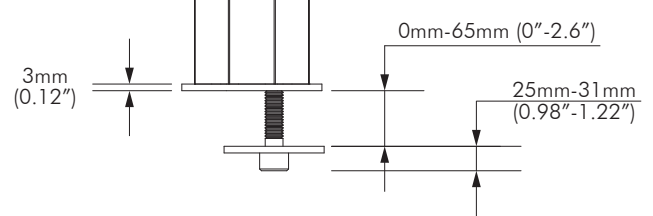
Bolt Through Mounting Options- Dimensions

Top View

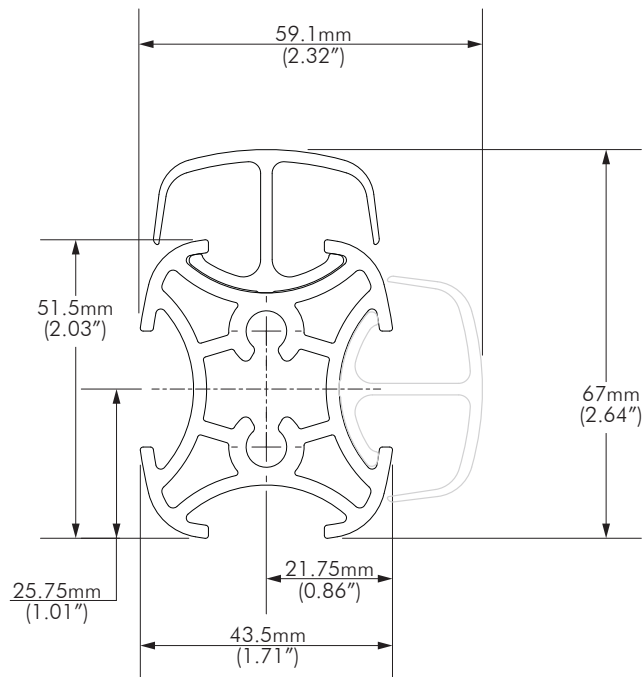
Bolt Through Desk Plate



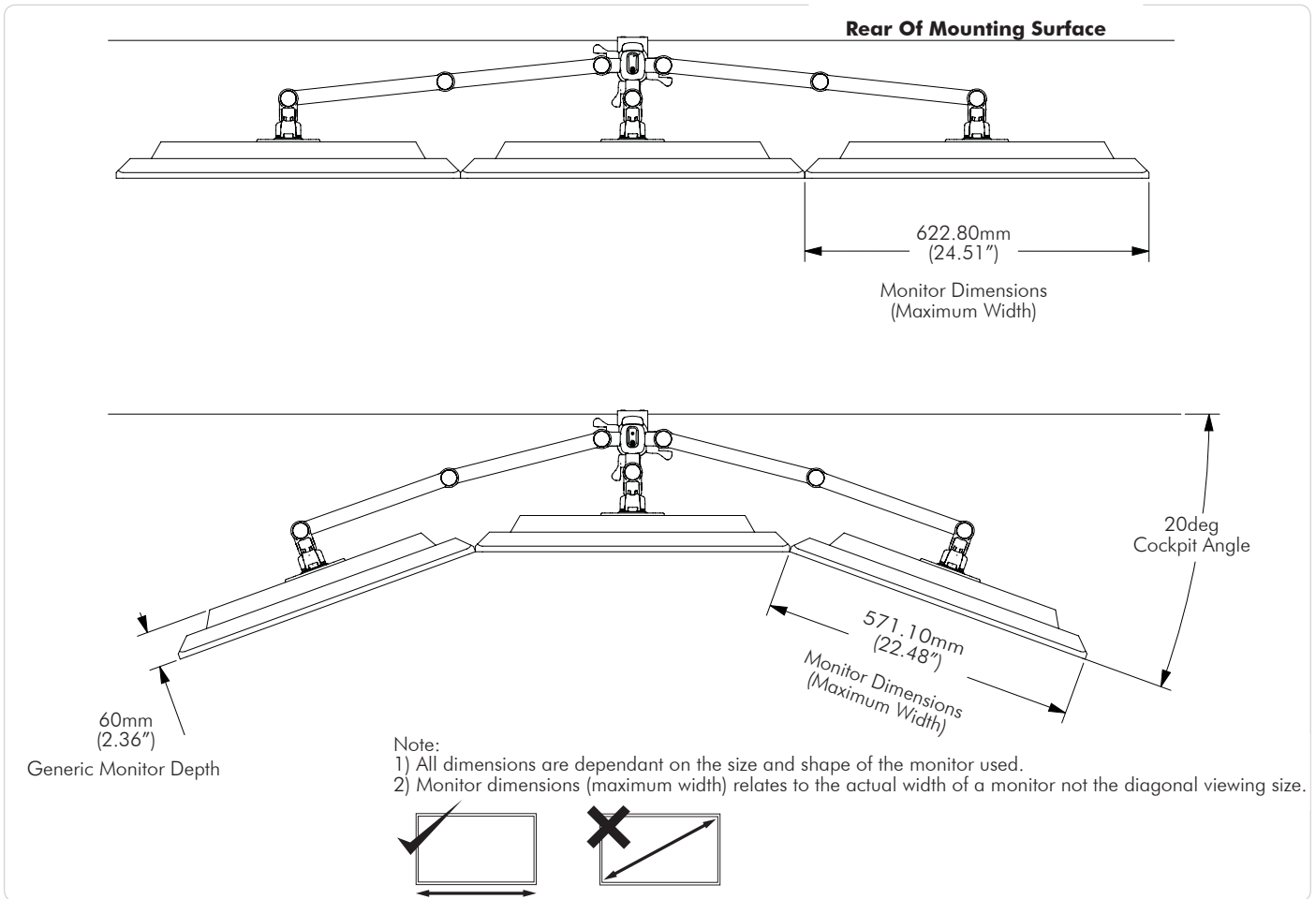
Detail View



Post Cross Section - Dimensions



Plan View



VESA Mounting Bracket

