

SYSTEMA

Systema Range

General Features

Consist of:

1X SS
1X SP10

Colours:

Silver and Anodised Aluminium

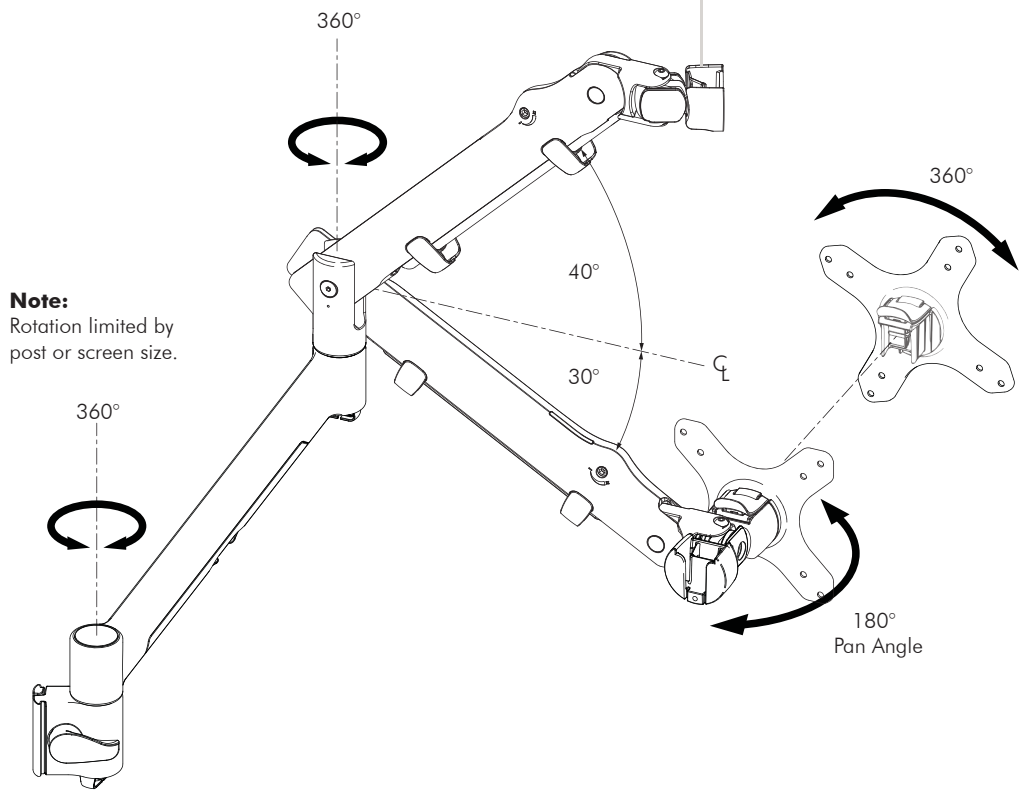
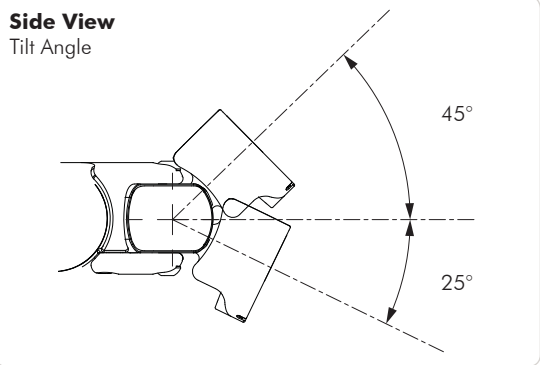
Warranty:

10 years limited

Max Load:

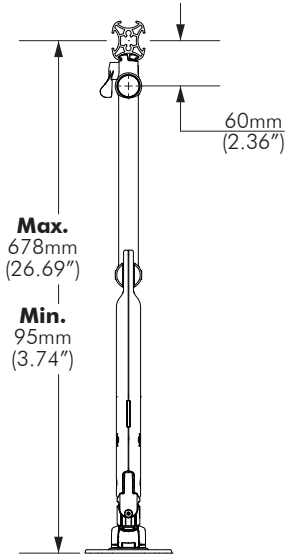
8kg (17.64 lbs) per arm

Range Of Movement

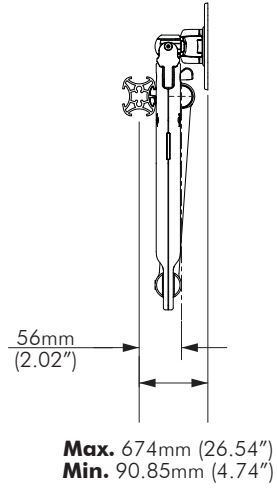


Monitor Spring Arm | Range of Movement - Arm Extension

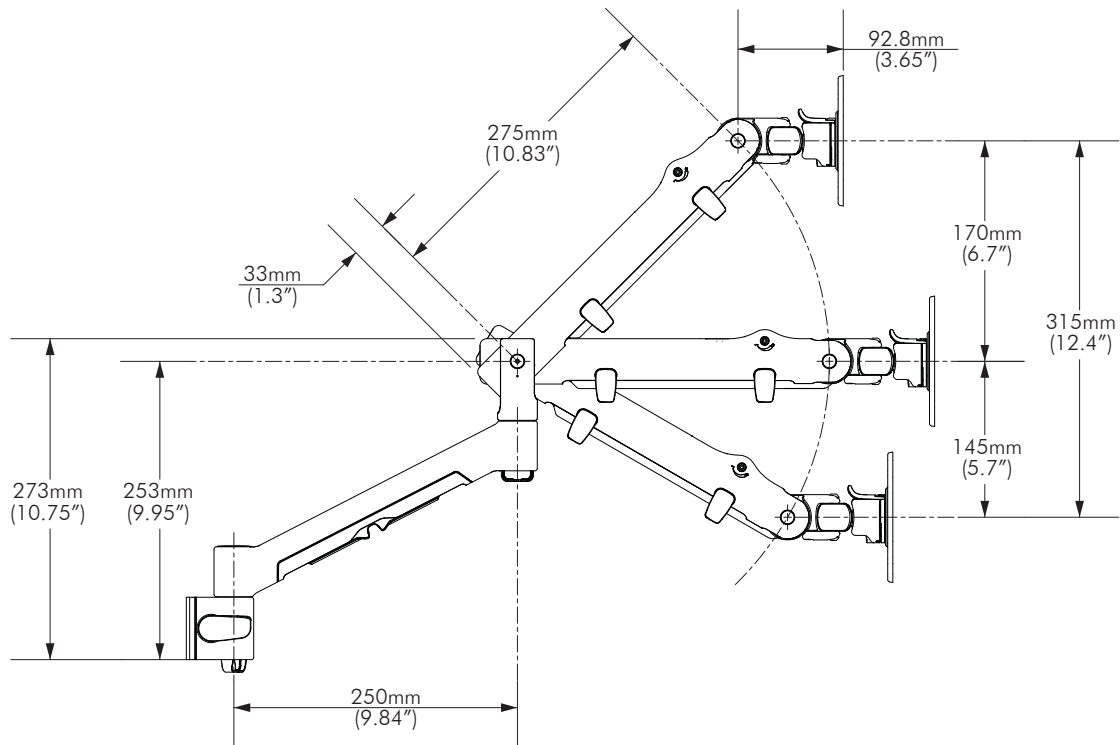
Front Attachment
(Maximum Extension shown)



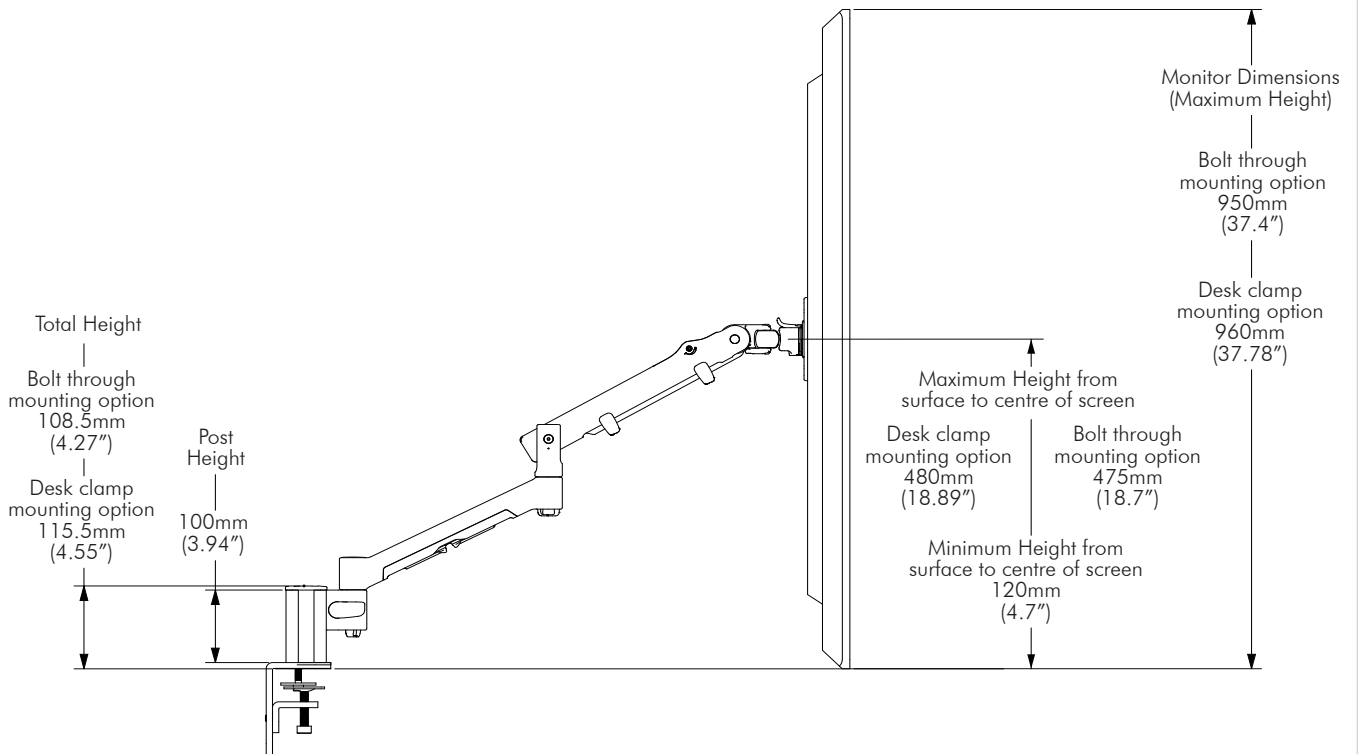
Side Attachment
(Minimum Extension shown)



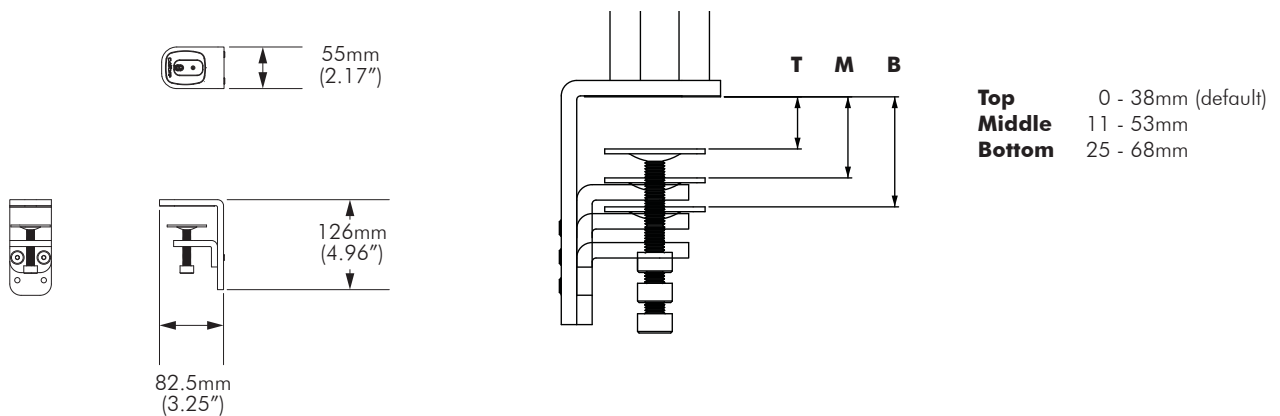
Monitor Spring Arm | Range of movement - Arm Dimensions



Side View



Desk Clamp Mounting Options-Dimensions



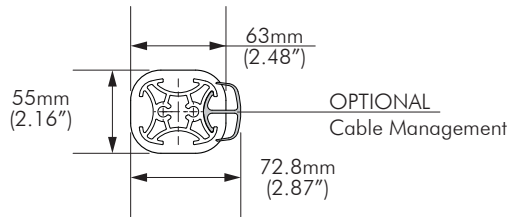
The Desk Clamp bracket can be repositioned to suit different mounting surface thicknesses. The maximum mounting surface thicknesses supported are listed above from the Top to Middle to Bottom Screw Holes.

Important! Any mounting surface must be capable of supporting the combined weight of all Systema products and attached monitors/devices. If in doubt, contact your mounting surface supplier.

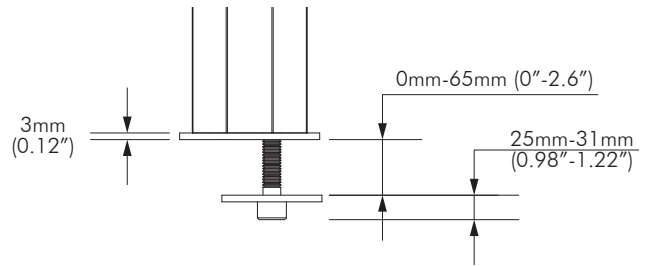
Bolt Through Mounting Options- Dimensions

Top View

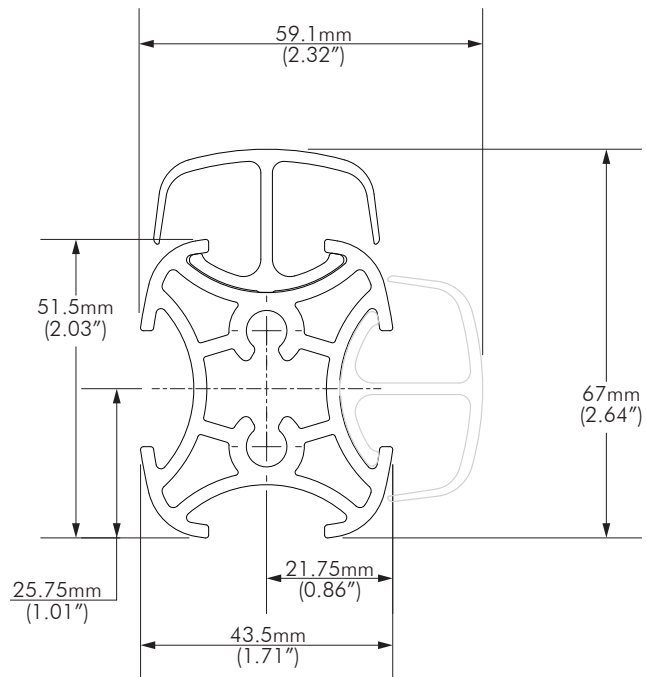
Bolt Through Desk Plate



Detail View



Post Cross Section - Dimensions



VESA Mounting Bracket

