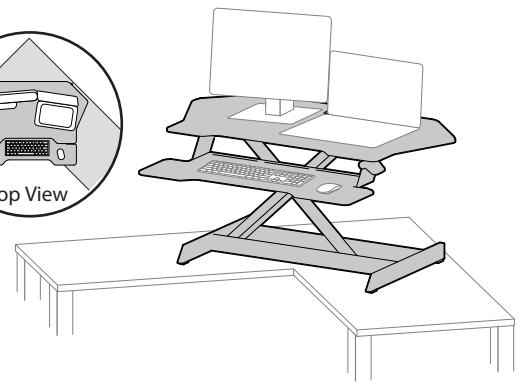
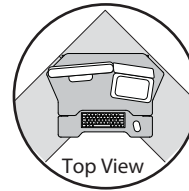
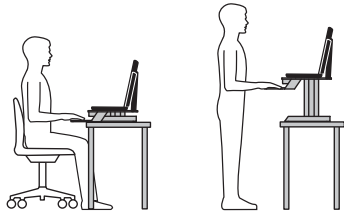




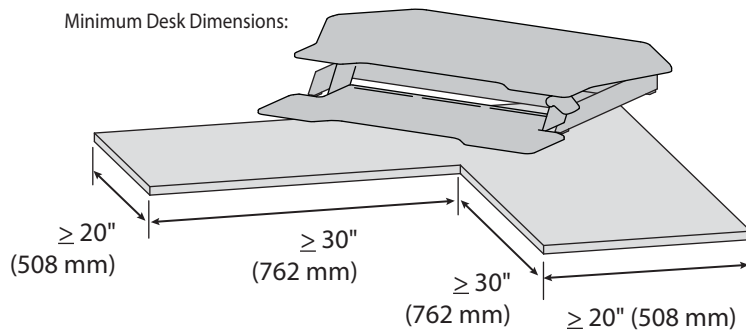
Dimensional Illustrations

WorkFit™ Corner Standing Desk Converter

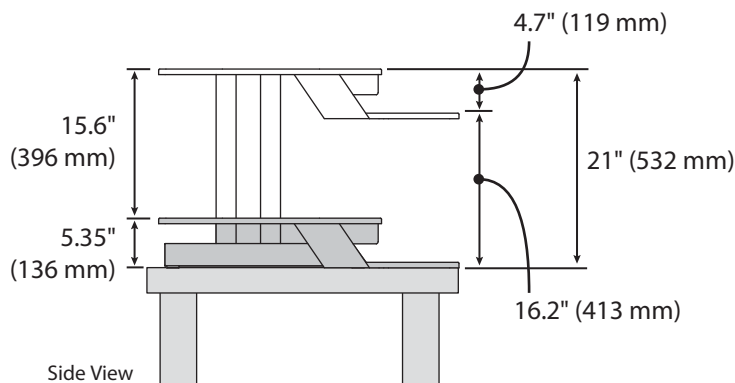
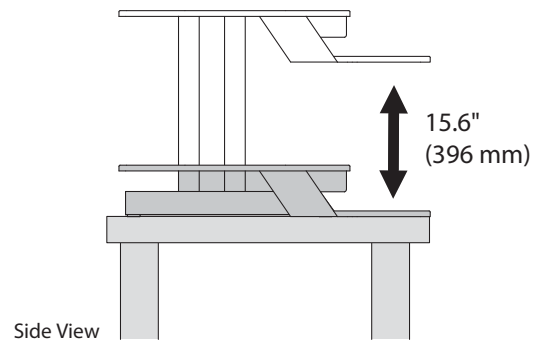


DIMENSIONS

Minimum Desk Dimensions:



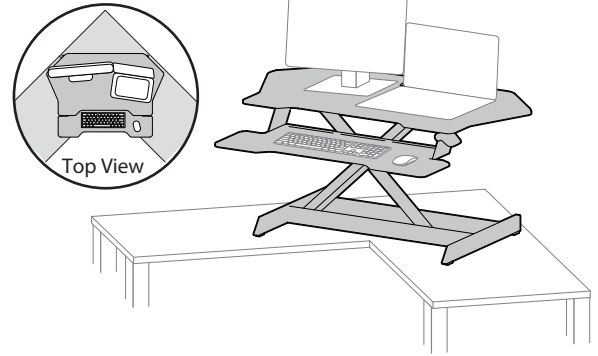
RANGE OF MOTION



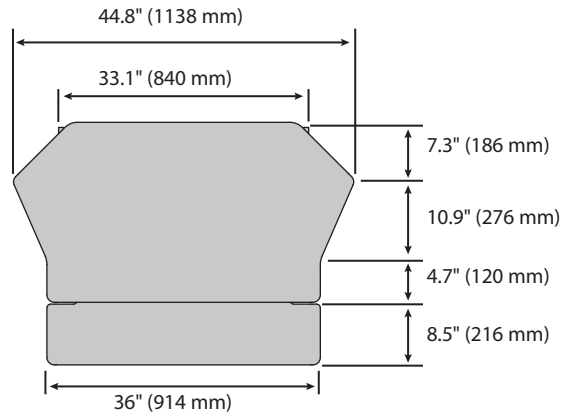
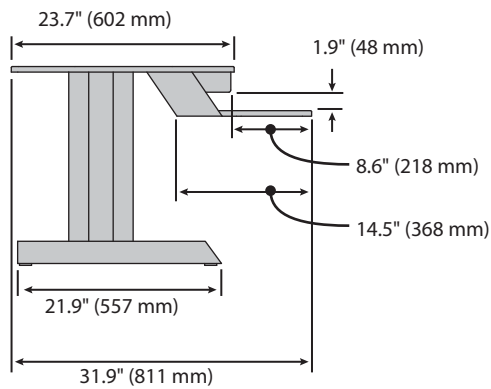
© 2018 Ergotron, Inc. rev. 12/11/2018 DIM-WFCorner **Content is subject to change without notification**

Americas Sales and Corporate Headquarter	EMEA Sale	APAC Sale	Worldwide OEM Sales
St. Paul, MN USA (800) 888-8458 +1-651-681-7600 www.ergotron.com sales@ergotron.com	Amersfoort, The Netherlands +31 33 45 45 600 www.ergotron.com info.eu@ergotron.com	Tokyo, Japan www.ergotron.com apaccustomerservice@ergotron.com	www.ergotron.com info.oem@ergotron.com

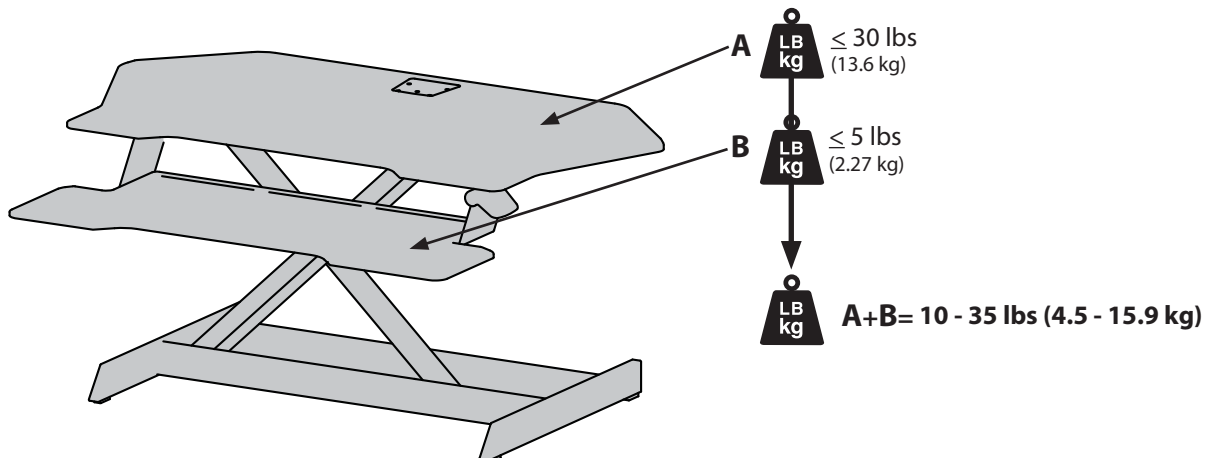
WorkFit™ Corner Standing Desk Converter



DIMENSIONS



WEIGHT CAPACITY



© 2018 Ergotron, Inc. rev. 12/11/2018 DIM-WFCorner **Content is subject to change without notification**

Americas Sales and Corporate Headquarter	EMEA Sale	APAC Sale	Worldwide OEM Sales
St. Paul, MN USA (800) 888-8458 +1-651-681-7600 www.ergotron.com sales@ergotron.com	Amersfoort, The Netherlands +31 33 45 45 600 www.ergotron.com info.eu@ergotron.com	Tokyo, Japan www.ergotron.com apaccustomerservice@ergotron.com	www.ergotron.com info.oem@ergotron.com